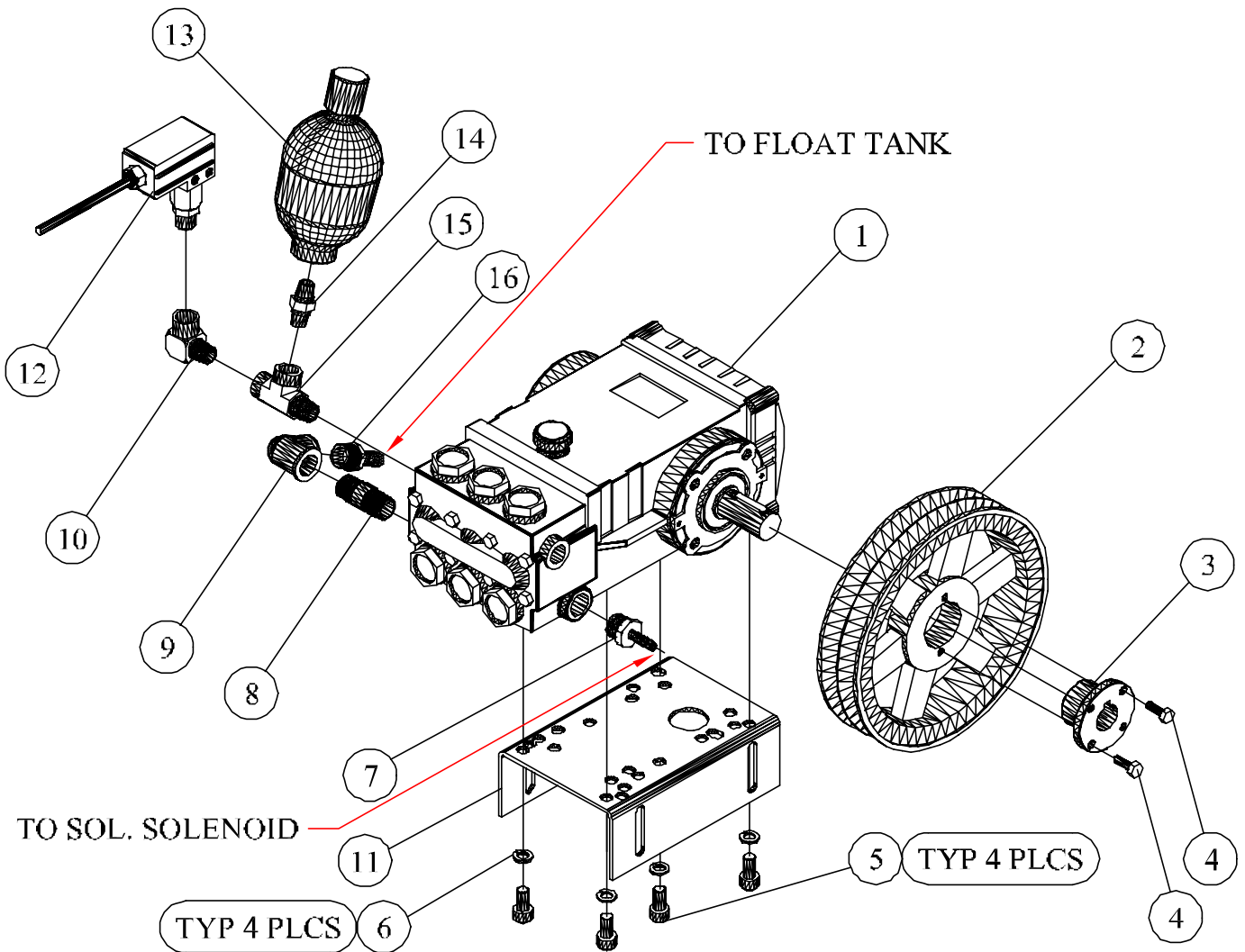


Jenny Products Inc.  
 Hpwr2040, OMP, N/C, JB, MAG.

<b>HPW2040 OMP,ES,N/C,JB,MAG</b>			
<b>PARTS LIST</b>			
<b>Notes: Figure 20- (Common Parts)</b>			
<b>Electrical Dia. Files Jw 125</b>			
<b>ITEM NO.</b>	<b>DESCRIPTION</b>	<b>QTY.</b>	<b>PART NO.</b>
1	CHASSIS,CHANNEL,MAIN,ST,PAINTED,OILFIRED	1	JD8000
2 ASSY SEE FIG 1-4	BLOWER,AIR,ASSY,6"ODX4"WX1/2"SHAFT	1	JB2000
3 ASSY SEE FIG 1-2	BURNER,GUN,OIL,DOUBLE ELECTRODE	1	JB1000
4 ASSY SEE FIG 1-7	TANK,FLOAT,ASSY,W/FITTINGS,HPW2040,OMP	1	JD8245-A
5	CASING,COIL,BOLT-ON,STEEL,PAINTED,LARGE	1	JD8002
6	COIL,OIL FIRED,3/8"PIPE,SCH80	1	JP2610-D
7	POT,FIRE,SS	1	JL 133
8	DISC,INSULATION,CERAMIC,14-3/8ODX4-1/8X3/8	1	JD7238-A
9	CORDSET,VALVE,SOLENOID,FUEL,SUNTEC	1	JD3306-E
10	TEE,STREET,STEEL,PLATED,3/8"NPT	1	JD 860-02
11	NIPPLE,STEEL,SCH80,3/8NPTX2-3/4LONG	1	JD 968
12	ELBOW,FEMALE,BRASS,FORGED,3/8NPTF	1	JD 691-01
13	THERMOSTAT,IMMERSSION,SP,ST,NC,240 DEG F	1	JD7137
14	PLUG,QUICK COUPLING,BRASS,3/8"NPTF	1	JD3103-05
15	HOSE,FUEL,ASSY,1/4"X42"L,HPW	2	JD8246
16 ASSY SEE FIG 1-1	PUMP,MOUNTING&FITTING,ASSY,HPW2040OMP,GE	1	JD8311-A
	OIL,PUMP,SYNTHETIC,HIGH-PERFORMANCE,1 QT	1	JD7999-A
	OIL,PUMP,SYNTHETIC,HIGH-PERFORMANCE,1 PT	1	JD7999-B
17 ASSY SEE FIG 1-3	MANIFOLD,FITTINGS,VALVE,HPW2040,ASSY,OMP	1	JD8211
18	PANEL,COVER,REAR,STEEL,PAINTED,NS	1	JD8006
19	PLATE,STIFFNER,ENGINE,GASOLINE,STEEL,OMP	1	JD8019
20ASSY SEE FIG 1-5	MAGNETO,IGNITION,FM,CCW, ASSY	1	JD 942-A
SEE FIG 1-6	MAGNETO,IGNITION,FM,CCW, PARTS BREAK DOWN		
21	ENGINE,GASOLINE,KOHLER,13HP,E.S.	1	JD7781
22	PULLEY,ALUM,SG,4.04ODX.501ID,(A39X1/2"G)	1	JD7986
23	BELT,VEE,FHP,COG,4L210	1	JD7896
24	BELT,VEE,FHP,COG,3L290	1	JD3315-02
25	PULLEY,CRS,SG,1-3/4ODX1/2ID(3L BELT) W/KEY WAY	1	JD3233-04
26	BELT,VEE,COG,BX42	2	JD3959-15
27	COVER,SS,ASSY,OMP,NEW,JB,MACH	1	JD8249
28	PANEL,COVER,FRONT,ST,PAINTED,OMP,HPW,JB	1	JD8013
29	DECAL,PANEL,INSTRUCTION,ENGINE,GAS,HPW	1	JD8440
30	BRACKET,BATTERY,STEEL,PAINTED,OMP,JB	1	JD8017
31	TRAY,BATTERY,STEEL,PAINTED,LARGE,CPW	1	JD7775-G
32	BOX,BATTERY,PLASTIC,BLACK,11X7-1/2X8-3/4	1	JD7769
33	CASTER,SWIVEL,W/BRAKE,5"DIA X 2"FACE	1	JD3217-01
34	CASTER,SWIVEL,W/OBRAKE,5"DIA X 2"FACE	1	JD3217-02
35	AXLE,CHASSIS,STEEL,PLATED,3/4"ODX24"O/L	1	JD8010
36	WHEEL,PNEUMATIC,10"ODX3/4"ID,BALLBEARING	2	JP2643-F
37	WIRE,IGNITION,BURNER,MAGNETO,ASSY,34"	1	JP3950-M
38	COLLAR,SCREW,SET,STEEL,PLATED,3/4"ID	2	JD7777
39	WIRE,IGNITION,BURNER,ASSY,27.5" GND	1	JP3950-F
40	TUBING,PVC,CLEAR,3/8ODX1/4ID	4	JD3087
41	RING,CASING,COIL,SS,7-15/16ID	1	JD2140-B
42	GROMMET,RUBBER,BLACK,7/16"ID.	5	JD3385-01
43	BUSHING,RELIEF,STRAIN,0.32-0.65,7/8	5	JD3947
44	BUSHING,RELIEF,STRAIN,0.37-0.43,7/8	5	JD3479
45	SCREW,MACHINE,PHILLIP,ST,PL,6-32X1/2	2	JD1033
46	RECEPTICAL,CLIP-ON,STEEL,DACROTIZED	6	JP7733-01
47	DECAL,NUMBER,MODEL,HPW2040,BLUE,LARGE	2	JD8455
48	SCREW,SLF DRL,HEX WASHER,PLTD,#10x5/8	10	JD7074-A
49	SCREW,CAP,HEX HD,ST,PL,5/16-18X1"	3	JD 557
50	SCREW,CAP,HEX HD,ST,PL,3/8-16X3/4"	4	JD 561
51	SCREW,CAP,HEX HD,ST,PL,5/16-18X3/4"	12	JD 556
52	SCREW,CAP,HEX HD,ST,PL,FLT,3/8-16X2-1/4"	2	JD7035

53	SCREW,CARRIAGE,GR5,ST,PL,3/8X6	2	JD7798
54	NUT,HEX,STEEL,PLATED,5/16-18	6	JE 755
55	NUT,HEX,STEEL,PLATED,3/8-16	4	JD 846
56	NUT,LOCK,FLANGE,HEX,SERR,ST,PL,3/8-16	2	JD7774-F
57	WASHER,FLAT,STEEL,PLATED,5/16	12	JD 894
58	WASHER,FLAT,STEEL,PLATED,1/4	6	JD 787
59	WASHER,LOCK,SPLIT,STEEL,PLATED,1/4"	12	JD 611
60	WASHER,LOCK,SPLIT,STEEL,PLATED,5/16"	14	JD 612
61	WIRE,BATTERY,ASSY,#6 GA,RED,61"LONG	1	JD7989
62	WIRE,BATTERY,ASSY,#6 GA,BLACK,56"LONG	1	JD7990
63	SWITCH,TOGGLE,SP,ST,6A@120V	1	JD2124
64	BOOT,SEAL,RUBBER,SWITCH,TOGGLE	1	JD3176
65	BOX,JUNCTION,NEMA4,2X4X2-1/8,STEEL CITY	1	JD 961
66	CLIP,SEPARATOR,WIRE,IGNITION,7MM,2-WIRE	2	JD7831
67	CLIP,SEPARATOR,WIRE,IGNITION,7MM,3-WIRE	2	JD7832
68	GROMMET,RUBBER,BLACK,5/8" I.D.	3	JD3385
69	FILTER,OIL,FUEL,W/HEAD,3/8NPT	1	JD2117
	FILTER,OIL,FUEL,CARTRIDGE,SPIN-ON		JD2117-01
70	CONNECTOR,MALE,BRASS,1/4-45SAEX3/8NPT	1	JD1277
71	CONNECTOR,MALE,BRASS,1/4-45SAEX1/4NPT	4	JD 659
72	CLAMP,SLEEVE,PLASTIC,3/8ID	1	JD2759
73	GUN,TRIGGER,3000PSI,8GPM,320F	1	JD6068-B
74	SOCKET,QUICK COUPLING,BRASS,1/4"NPTF	1	JD3102-02
75	NOZZLE,SPRAY,PSI,SS,QCK CON,0 DEG,O#6.0	1	JD7755-04
76	NOZZLE,SPRAY,PSI,SS,QCK CON,15DEG,O#6.0	1	JD7756-04
77	NOZZLE,SPRAY,PSI,SS,QCK CON,25DEG,O#6.0	1	JD7757-04
78	NOZZLE,SPRAY,PSI,SS,QCK CON,40DEG,O#6.0	1	JD7758-04
79	SOCKET,QUICK COUPLING,BRASS,3/8NPTF	1	JD3102-05
80	WASHER,STRAINER,MESH,WIRE,BRASS,#30	2	JD 809
81	HOSE,WASH,PRESSURE,3000PSI,250F,3/8X50FT	1	JD7790-A
82	DECAL,NAMEPLATE,OIL FIRED	1	JD6251-05
83	DECAL,CLEAR,MYLAR	1	JD6251-08
84	DECAL,INDICATOR,HANDLE,VALVE,SOLUTION	1	JD7143
85	TAG,TESTED,FUEL	1	JD7196-01
86	DECAL,DANGER,WARNING,CAUTION,LARGE	1	JD7239
87	PLUG,HEAD,SOCKET,HEX,STEEL,PLATED,3/4"NP	1	JD 877
88	CAP,FILLER,FUEL,STEEL,PLATED,1/4 TURN	1	JD3174
89	TANK,FUEL,BOLT-ON,STEEL,PAINTED,13.3 GAL	1	JD8020
90	TUBING,COPPER,ASSY,BURNER,F.PUMP-SOL,JB	1	JD1722-U
91	WIRE,BATTERY,ASSY,#6 GA,RED,12"LONG	1	JP7128-E
92	SCREW,CAP,HEX HD,ST,PL,3/8-16X1"	4	JD 563
93	WASHER,FLAT,STEEL,PLATED,3/8	4	JD 873
94	DECAL,LOGO,JENNY,BLUE	2	JD7185
95	GROMMET,RUBBER,BLACK,1-1/2,I.D.	1	JP 675
96	VALVE,NEEDLE,SOLUTION,BRASS,1/4IDHS-BARB	1	JD6248-A
97	DECAL,SOLUTION,METERING,VALVE	1	JD7821
98	KEY,STEEL,1/4X1/4X2LENGTH	1	JP6714-01
99	CLAMP,HOSE,GEAR,WORM,SS,9/16TO1-1/16DIA	2	JD1229-A
100	CLAMP,HOSE,NYLON,BLACK,.750/.875DIA	2	JD7859-F
101	PULLEY,CI,FG,4BG34X1",3.4DPA	1	JD3904-70
102 ASSY SEE FIG 20-1	VALVE,SOLENOID,SOLUTION,12V,1/4NPT	1	JD2162-D
103	LANCE,INSULATED,STEEL,ZINC-PLATED,1/4X36	1	JP7080-O
104	HOSE,SOLVENT,NEOPRENE,1/2"ID	3	JD 946
105	HOSE,HYD,3K PSI,31"L,3/8NPTM,90D-3/8NPTM	2	JD7893
106	SCREW,CAP,HEX HD,ST,PL,1/4-20X1/2"	10	JD 550
107	SCREW,CAP,HEX HD,GR5,ST,PL,1/4-20X3/4"	4	JD 551
108	STRAINER,CHEMICAL,BRASS,1/4"HOSEBARB	1	JD7140-A
109	BAFFLE,TANK,FLOAT,REMOVABLE	1	JP3385-08
110 SUPPLIED W/ ENGINE	GUARD,MUFFLER,ROUND,KOHLER,11-15HP,TOP	1	JD7780-06
111 SUPPLIED W/ ENGINE	MUFFLER,RD,ENGINE,KOHLER,11-15HP,TOP,KIT	1	JD7780-07

112	KEY,STEEL,PLATED,1/8X1/8X2-1/8"LONG	1	JD 950-02
113 SUPPLIED W/ ENGINE	SOLENOID,STARTER,ELECT-START,KOHLER	1	JD7706-03
114	SCREW,PHILLIPS,HEAD,"N",COVER	6	JP7733
115	RETAINER,SCREW,PHILLIPS,HEAD,"N"	6	JP7733-02
116	WASHER,LOCK,SPLIT,STEEL,PLATED,3/8"	12	JD 613
117	WASHER,STEEL,3/4ID,SAE	2	JP2036-03
118	FILTER,OIL,CH11-CH13,KOHLER#5205002	1	JD7767-04
119	NIPPLE,CLOSE,BRASS,3/8NPT	1	JD3054
NOT SHOWN	DECAL,NOTICE,BATTERY,USE 12V 20AMP	1	JD7023
NOT SHOWN	DECAL,PACKED,GROOMED,TESTED	1	JD6013
NOT SHOWN	DECAL,MADE-IN-THE-USA,JENNY	1	JD6211
NOT SHOWN	DECAL,DANGER,WARNING,CAUTION,LARGE	1	JD7239
NOT SHOWN	DECAL,FUEL,OIL,MYLAR,BLUE,1"X4"	1	JD2345



ITEM NO.	QTY.	DESCRIPTION	PART NO.
1	1	PUMP, PLUNGER, TRIPLEX, 3000PSI, 4.0GPM, GEN	JD7869
2	1	PULLEY, CI, DG, TH, 2BK90H, 8.0PDA, 8.4PDB	JD3904-56
3	1	BUSHING, PULLEY, TAPERED, 24MM BORE	JD3915
4	2	H.H.B. 1/4-20 UNC-3/4 CLASS 5 RECEIVED W/ BUSHING	
5	4	METRIC RECEIVED W/PUMP	
6	4	WASHER, LOCK, SPLIT, STEEL, PLATED, 3/8"	JD 613
7	1	BARB, HOSE, MALE, BR, 1/4HSX1/2NPTM	JD7826
8	1	NIPPLE, BRASS, 1/2NPTX1-1/2LONG	JD3094-01
9	1	ELBOW, FEMALE, BRASS, FORGED, 1/2NPT	JD 692-02
10	1	ELBOW, STREET, STEEL, PLATED, 3/8NPT	JD3717-03
11	1	PLATE, MOUNTING, PUMP, STEEL, PAINTED, JB	JD8016
12	1	SWITCH, PSI, SP, ST, NO, 15A, 230V, 3/8NPT	JD3977
13	1	ACCUMULATOR, BLADDER, 3000# WP, 1050# CHARGE	JD7646-1
14	1	NIPPLE, HEX, STEEL, PLATED, 3/8NPTX3/8NPT	JD3716-01
15	1	TEE, STREET, STEEL, PLATED, 3/8"NPT	JD 860-02
16	1	BARB, HOSE, MALE, BRASS, 1/2HSX1/2NPT	JD7077-A

FIGURE 1-1 (Pump, Mounting, & Fitting, JD8311-A, Hpw2040 Omp, Ass'y)

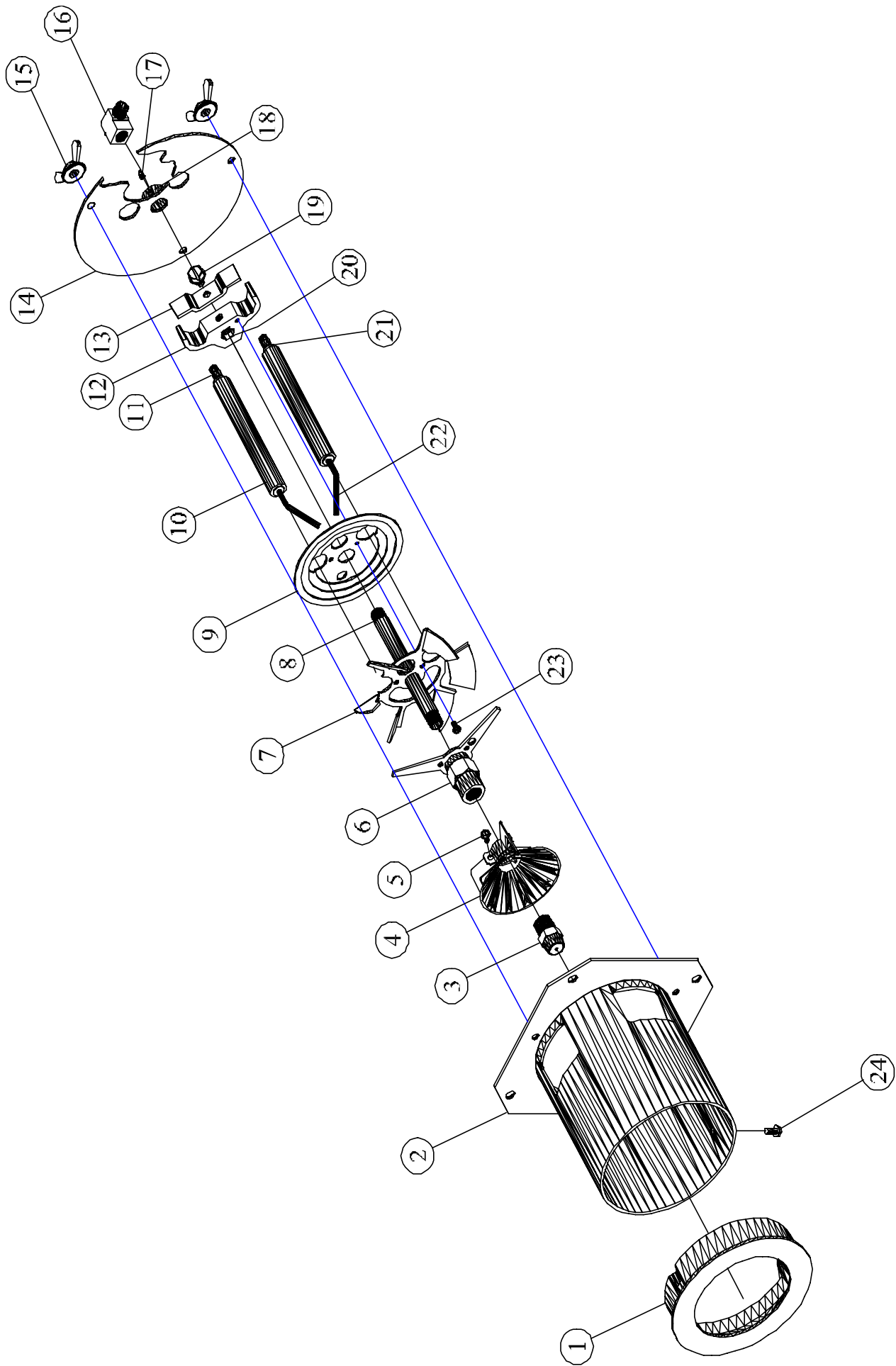
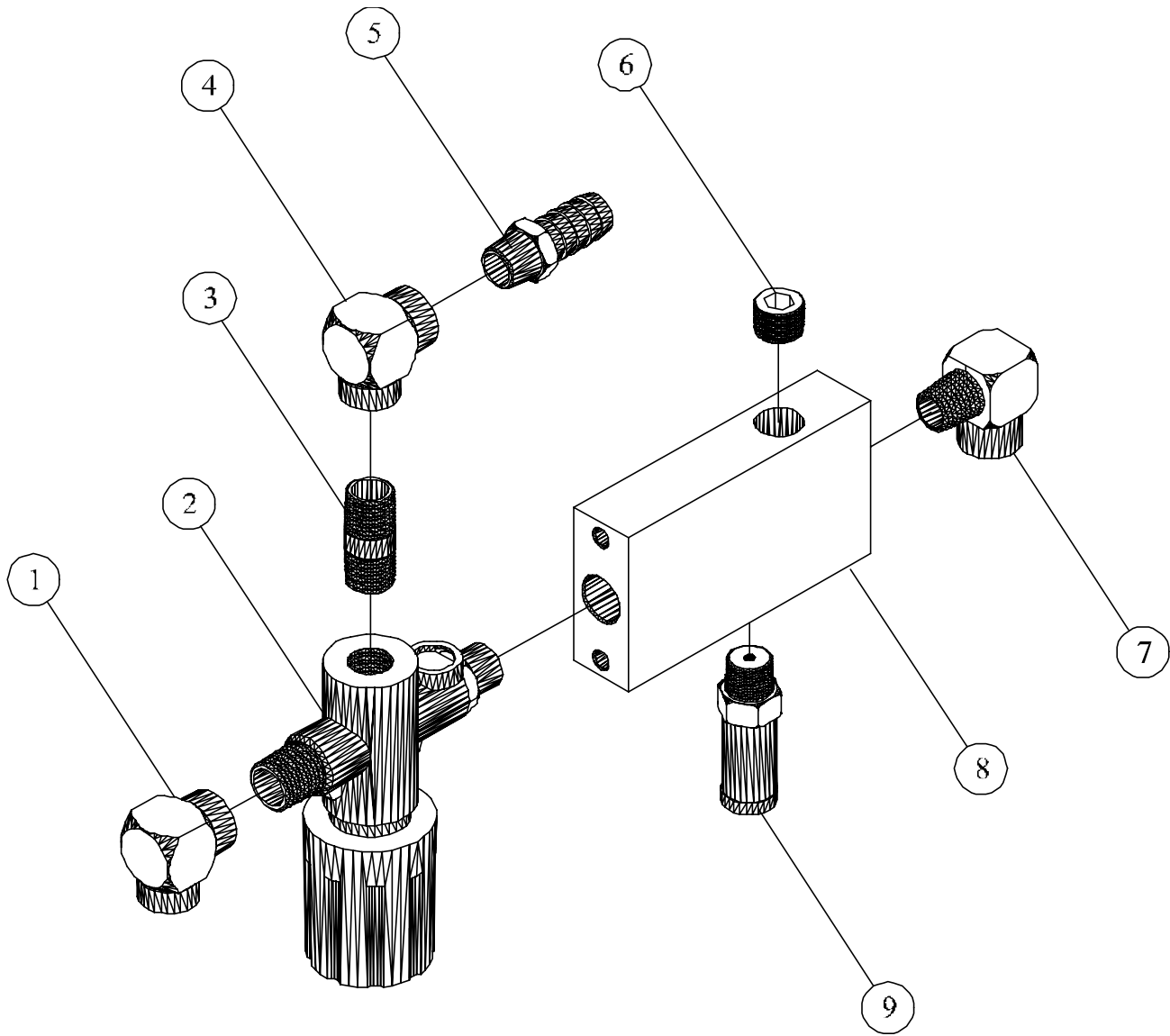


FIGURE 1-2 (Burner, Gun, Oil, Double, Electrode JB1000, HPW2040 OMP, Assy)

**Hpw 2040, OMP**  
**BURNER, GUN, OIL, DOUBLE, ELECTRODE**  
**JB1000, ASSY**

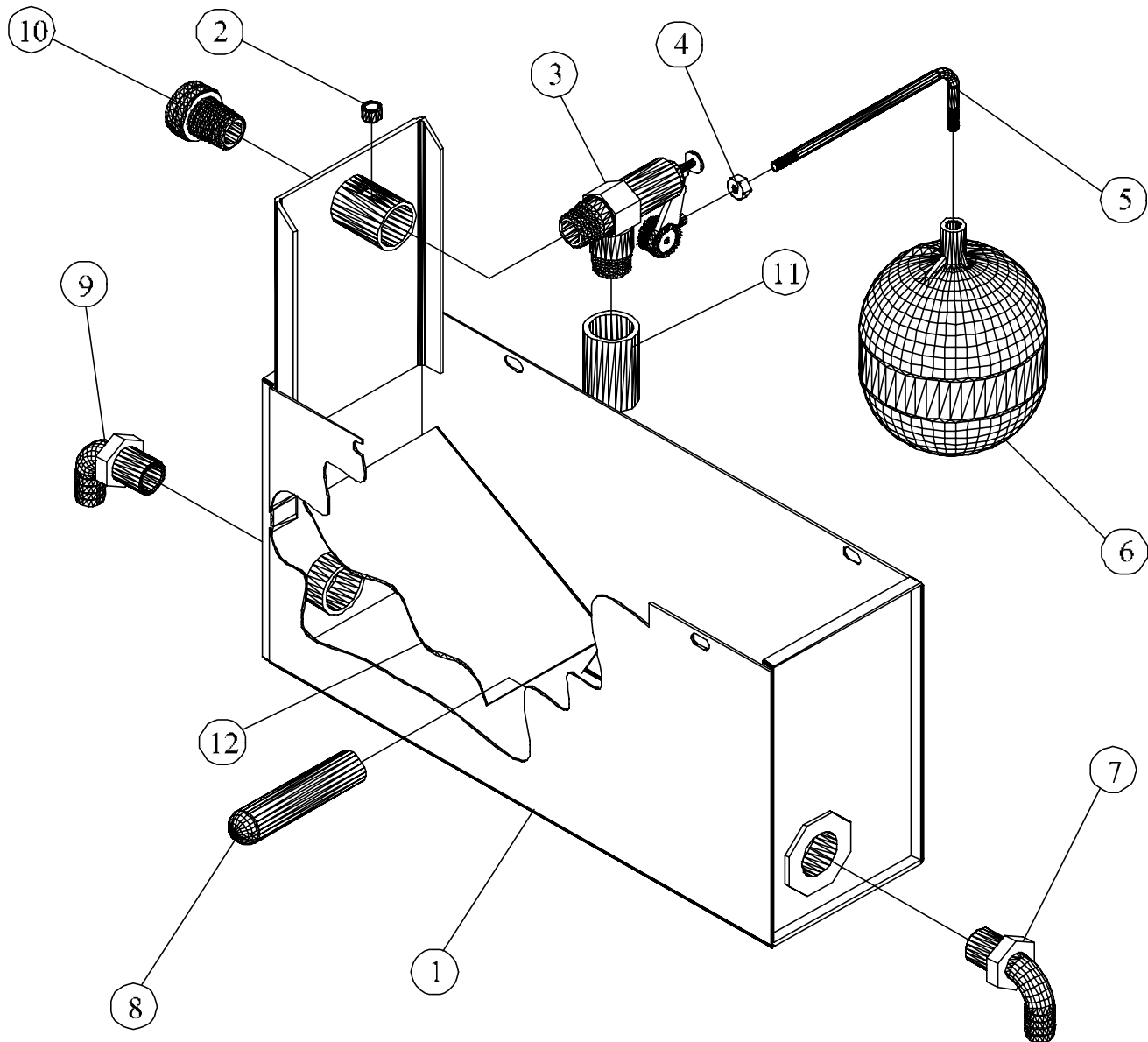
<b>ITEM NO.</b>	<b>DESCRIPTION</b>	<b>QTY.</b>	<b>PART NO.</b>
1	CONE, AIR, MI, 4.0 O.D. X 3.0 I.D. X .875 LONG	1	JB1002
2	TUBE, AIR, STEEL, 4.25 O.D. X 4.0 I.D. X 4.50 LONG ASSY	1	JB1001
3	NOZZLE, BURNER, OIL, 1.75 GPH, 80 DEG S.C. (ON MACHINE B.O.M.)	1	JB1510
4	FLAME LOCK, STAINLESS, 10 VANE, 2.5" CONE	1	JB1007
5	SCREW, SELF TAP, HEX, WASH, STEEL, PLATED, 6-32 X 3/8	1	JB1014
6	ADAPTER, NOZZLE, BRASS, W/LEG, SUPPORT	1	JB1006
7	WHIRLER, STEEL, PLATED, 6 VANE, 3-11/16 O.D.	1	JD1010
8	NIPPLE, STEEL, SCH40, 1/8" NPT X 4" LONG	1	JB1004
9	PLATE, STEEL, PLATED, DISC, SOLID, 3-3/8 O.D.	1	JB1009
10	INSULATOR, ELECTRODE, CERAMIC, GLAZED, 4"	2	JB1015-01
11	CONNECTOR, SPARK PLUG, RAJAH, 100734-002	2	JB1015-04
12	SUPPORT, ELECTRODE, ALUMINUM	1	JB1008
13	CLAMP, ELECTRODE, STEEL, 13 GA. X .5 X 2.0	1	JB1011
14	PLATE, BURNER, STEEL, 14 GA X 5.25 DIAMETER	1	JB1003
15	NUT, WING, STEEL, FORGED, PLATED, 10-24	3	JD2186
16	ELBOW, FEMALE, BRASS, 1/4-45 SAE X 1/8 NPTF	1	JB1018
17	SCREW, SET, HEX, CUP POINT, NYLK, 1/4-20X1/4	1	JE 895
18	COLLAR, STEEL, .875 O.D. X .437 I.D. X .437 LONG	1	JB1005
19	SCREW, MACHINE, HEX, WSHR, ST, PLATED, 10-24 X 5/16	1	JB1013
20	SCREW, SET, HEX, CUP POINT, 10-24 X 1/4	1	JB1012
21	NUT, LOCK, FLANGE, HEX, ST, PL, #6-32	2	JB1015-03
22	ELECTRODE, BENT RADIUS, TUNGSTEN	2	JB1015-02
23	SCREW, SELFTAP, HEX WASH, ST, PL, 4-40 X 3/8	1	JB1016
24	SCREW, MACHINE, PHILLIPS, ST, PL, FL, 8-32 X 3/8	1	JB1017



ITEM NO.	QTY.	DESCRIPTION	PART NO.
1	1	ELBOW,FEMALE,STEEL,PLATED,3/8"NPT	JD 691
2	1	VALVE,UNLOAD,PSI ACT,2000PSI,6GPM	JD3324-F
3	1	NIPPLE,BRASS,3/8NPT X 2" LONG	JD 732-05
4	1	ELBOW,FEMALE,BRASS,FORGED,3/8NPTF	JD 691-01
5	1	BARB,HOSE,MALE,BRASS,5/8HSX3/8NPT	JD 975-01
6	1	PLUG,SOCKET,HEX,BRASS,3/8NPT	JD7151
7	1	ELBOW,FEMALE,BRASS,FORGED,3/8NPTF	JD3717-03
8	1	MANIFOLD,FITTINGS,STEEL,PLATED, 3/8NPT	JP7716
9	1	VALVE,RELIEF,2400-3000PSI,160F,3/8NPTM	JD7048-A

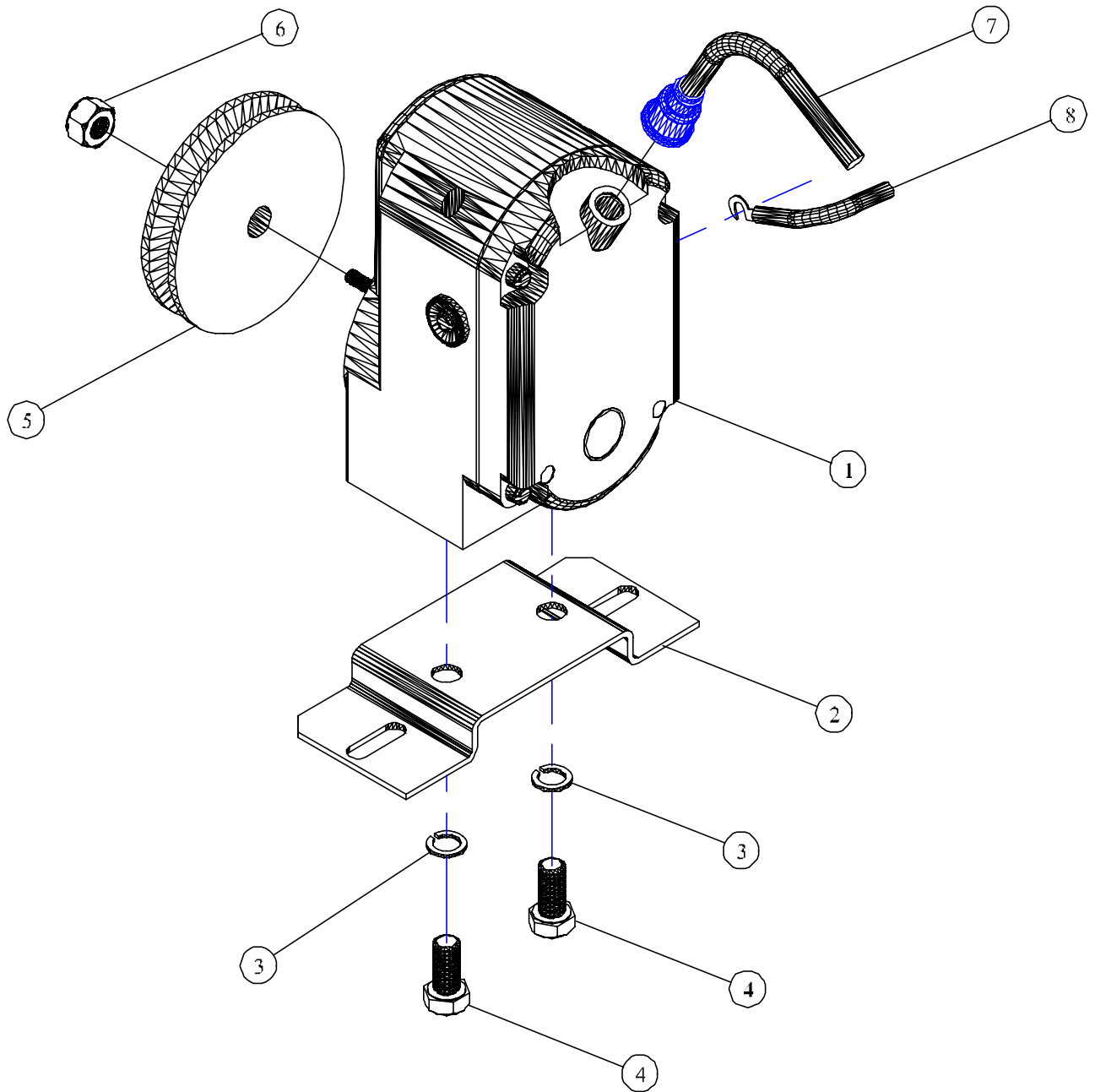
FIGURE 1-3 (Manifold, Valve, Fitting, JD8211, Hpw 2040 OMP Ass'y)





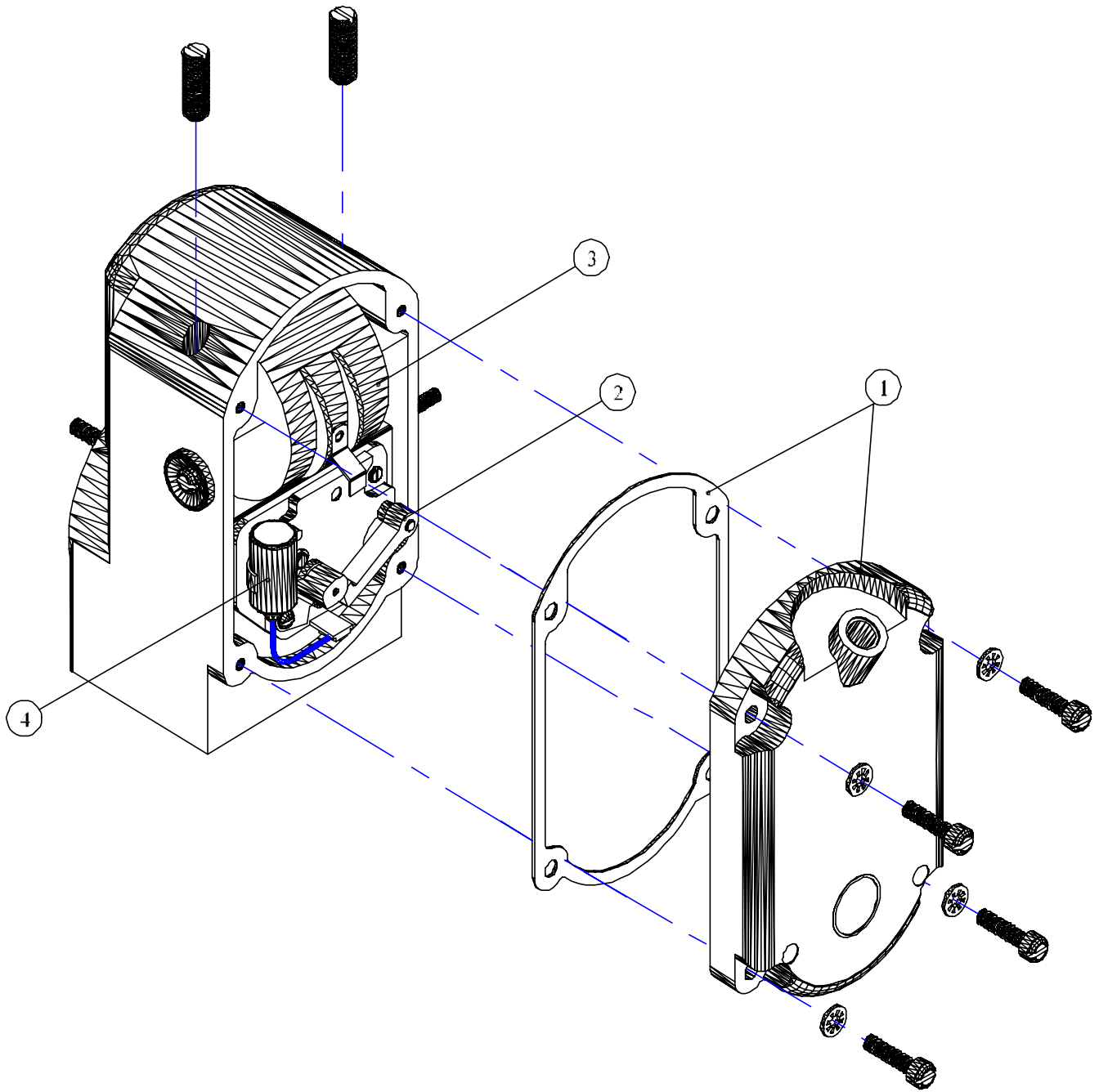
ITEM NO.	QTY.	DESCRIPTION	PART NO.
1	1	TANK, FLOAT, BOLT-ON, JB	JD8015
2	1	PLUG, SOCKET, HEX, BRASS, 1/8NPT	JD7243
3	1	VALVE, FLOAT, BRASS, 60PSI, 1/2"NPTM	JD2988-B
4	1	NUT, HEX, STEEL, PLATED, 1/4-20	JD 791
5	1	ROD, FLOAT, BENT, BRASS, 1/4 X 5-5/8 LG X 1/4-20	JD1416-02
6	1	BALL, FLOAT, PLASTIC, BLACK	JD1416-01
7	1	WATER, HOSE, CONNECTOR	JD7058
8	1	STRAINER, WATER, SS, 30MESH, 47/64 O.D. X 3-1/8 LG	JD3843-B
9	1	ELBOW, BARB, HOSE, MALE, PLASTIC, 5/8HS X 3/4 NP	JD3663
10	1	WATER, HOSE, CONNECTOR	JD7142
11	1	HOSE,RUBBER,BLACK,3/4	JE 558
12	1	BAFFLE,TANK,FLOAT,REMOVABLE	JP3385-08

FIGURE 1-4 (Tank, Float, Fitting, JD8245-A, Omp Hpw2040 Ass'y)



ITEM NO.	QTY.	DESCRIPTION	PART NO.
1	1	MAGNETO, IGNITION, FM, CCW	JD942-A
2	1	BRACKET, MAGNETO, OMP, JB	JP6082-A
3	2	WASHER, LOCK, SPLIT, STEEL, PLATED, 3/8"	JD 613
4	2	SCREW, CAP, HEX, HD, ST, PL, 3/8-16 X 3/4	JD 561
5	1	PULLEY, CRS, SG, 3.170DX7/16ID-TAPERED	JD3314-A
6	1	NUT, LOCK, STEEL, PLTD, NYLON, INSERT, 3/8-16	JD3726-02
7	1	WIRE, IGNITION, BURNER, MAGNETO, ASSY 34"L	JD3950-M
8	1	WIRE, IGNITION, BURNER, ASSY, 27.5" L GND	JD3950-F

FIGURE 1-5 (Magneto, Ignition Fittings, Omp, Assy)



NOTE: WE ARE USING CCW ROTATION ON THE NEW UNITS W/ GAS ENGINES

ITEM NO.	QTY.	DESCRIPTION	PART NO.
1	1	COVER, GASKET, MAGNETO, ASSY	JD 942-11
2	1	POINT, CONTACT, MAGNETO, CCW	JD 942-22
3	1	COIL, MAGNETO	JD 942-13
4	1	CONDENSER, MAGNETO	JD 942-14

FIGURE 1-6 (Magneto, Replacement, Parts, JD 942-A Break Down)

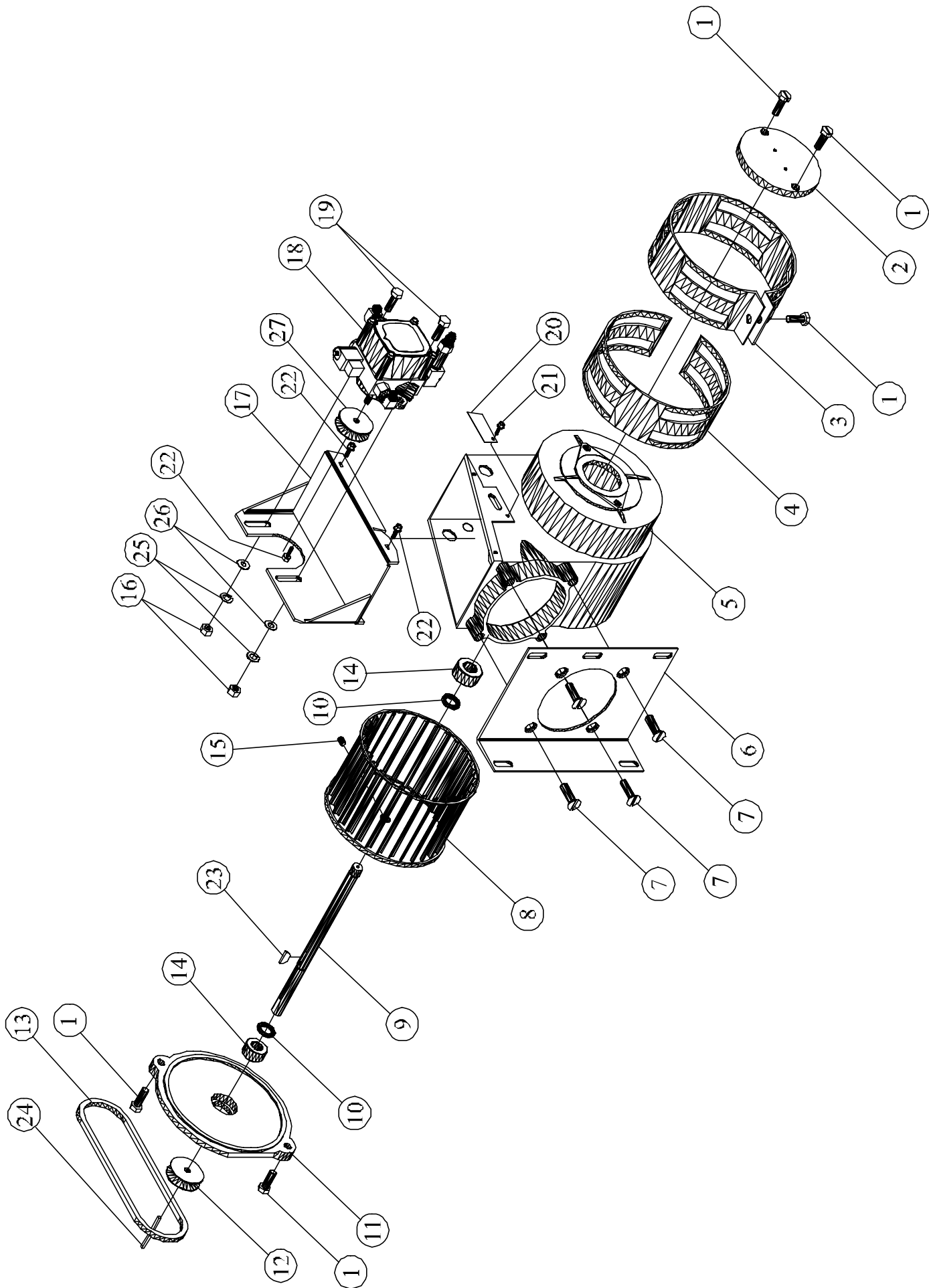
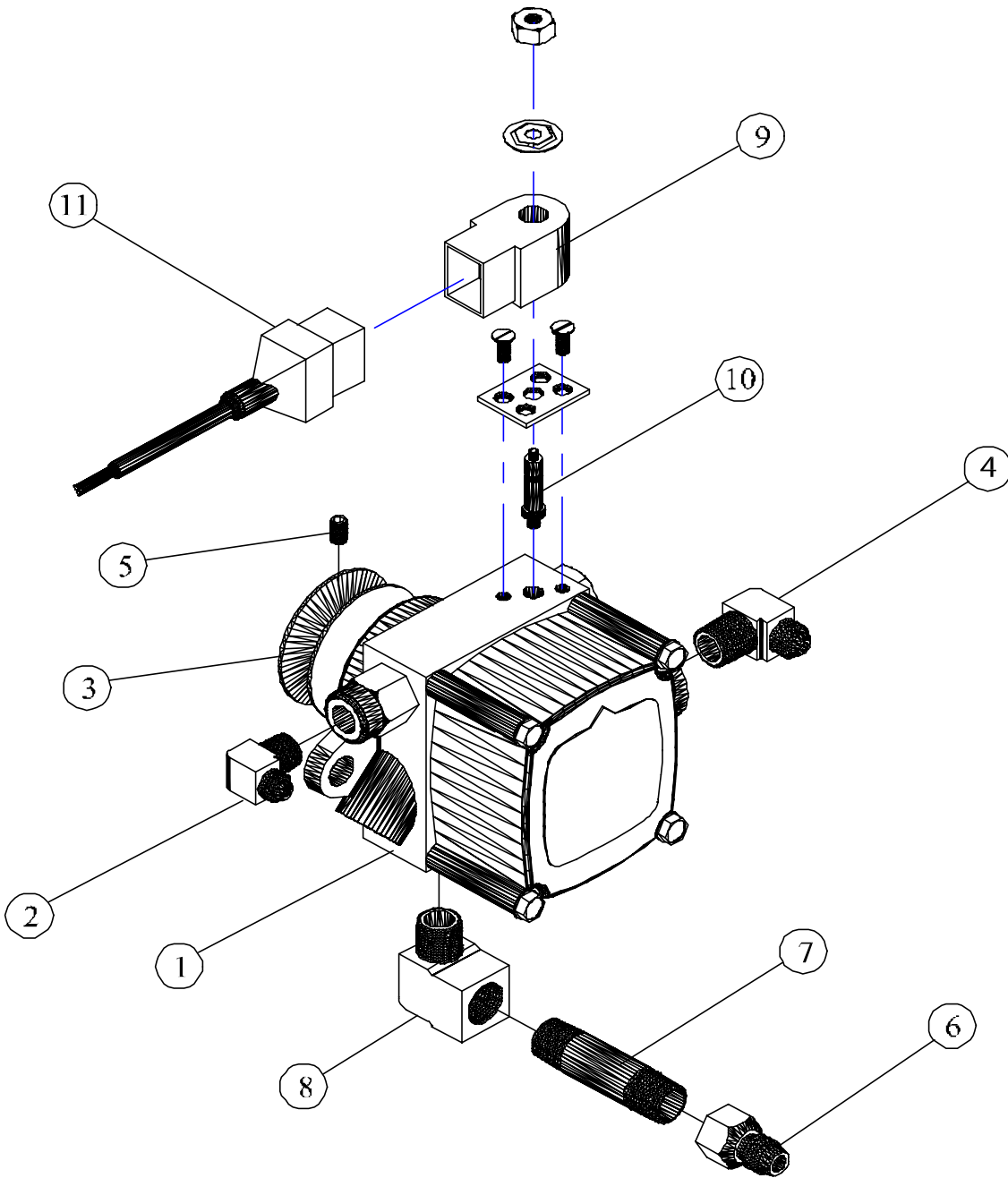


FIGURE 1-7 (Blower, Air, JB2000, 6" OD X 4" W X 1/2" Shaft, Assy)

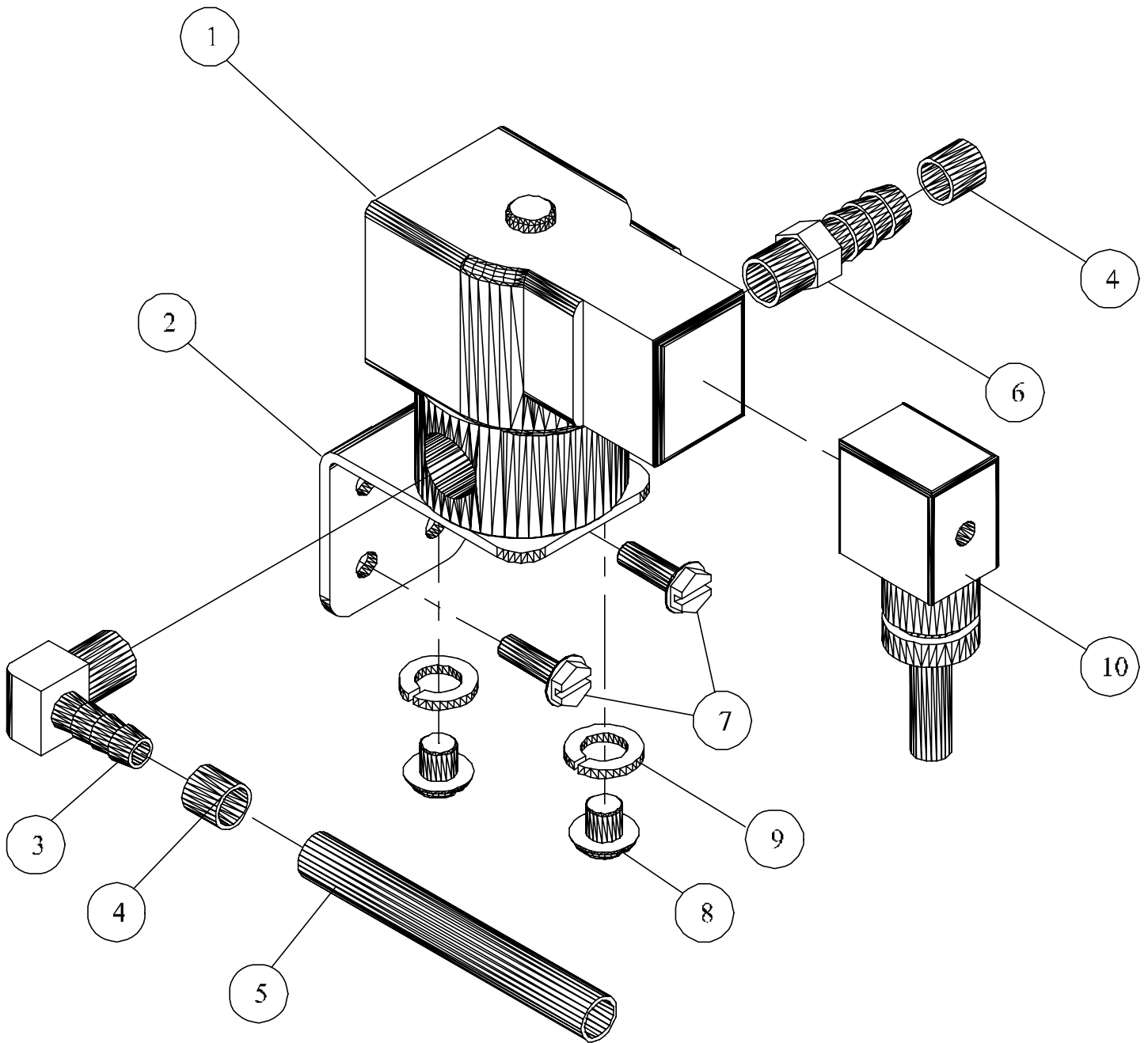
**HPW2040 OMP, Blower, Air, JB2000**  
**6" ODX 4"W X 1/2" Shaft Assy**

<b>ITEM NO.</b>	<b>DESCRIPTION</b>	<b>QTY.</b>	<b>PART NO.</b>
1	SCREW, MACHINE, HEX, SERR, ST, PL, 5/16-18 X 7/8	5	JB2012
2	RETAINER, BEARING, ALUMINUM, BAND, AIR	1	JB2006
3	BAND, AIR, OUTER, STEEL, PLATED, 8 HOLE	1	JB2003
4	BAND, AIR, INNER, STEEL, PLATED, 7 HOLE	1	JB2002
5	HOUSING, BLOWER, ALUMINUM, 6.25OD X 4.0 WHEEL	1	JB2001
6	PLATE, MOUNTING, ST, PLATED, ADAPTER, CHASSIS	1	JB2010
7	SCREW, MACHINE, UNDERCUT, SLT, FLT, 5/16-18 X 5/8	4	JB2013
8	WHEEL, BLOWER, ST, 6.25 OD X 4.0W 1/2" SHAFT W/KEYWAY	1	JB2007
9	SHAFT, BLOWER, STEEL, 0.50 DIA. X 9.562 LONG KEY WAY	1	JB2008
10	RING, RETAINER, EXTERIOR, STEEL, 1/2	2	JB2015
11	FLANGE, ALUMINUM, RETAINER, BEARING, N-FLANG	1	JB2009
12	PULLEY, CRS, SG, 1-3/4 OD X 1/2 ID (3L BELT)	1	JD3233-04
13	BELT, VEE, FHP, 3L230	1	JD3509
14	BEARING, BALL, 1.375OD X .500 ID X .437 WIDE	2	JB2011
15	SCREW, SET, HEX-SKT, KNURL-PNT, 5/16-24 X 3/8L	1	JB2017
16	NUT, LOCK, FLANGE, HEX, SERR, ST, PL, 5/16-18	2	JE 755
17	PLATE, MOUNTING, PUMP, FUEL, STEEL, PAINTED	1	JB2005
18 ASSY SEE FIG 1-8	PUMP, FUEL, ASSY, JENNY-BURNER	1	JP7738
19	SCREW, FLANGE, HEX, SERR, ST, PL, 5/16-18 X 1"	2	JD 557
20	PLATE, COVER, SLOT, STEEL, PLATED, 18GA X 1 X 2.5	1	JB2004
21	SCREW, SELFTAP, HEX, SERRATED, FLT, 10-24 X 3/8	1	JB2014
22	SCREW, SLF DRL, HEX, WASHER, PLATED #10 X 5/8	3	JD7074-A
23	KEY, STEEL, WOODRUFF, 1/8"#404	1	JD 950-03
24	KEY, STEEL, PLATED, 1/8X1/8X2-1/8" LONG	1	JD 950-02
25	WASHER, LOCK, SPLIT, STEEL, PLATED, 5/16"	2	JD 612
26	WASHER, FLAT, STEEL, PLATED, 5/16	2	JD 894
27	PULLEY, CRS, SG, 1-3/4" ODX 5/16" ID (3L BELT)	1	JD3233-03



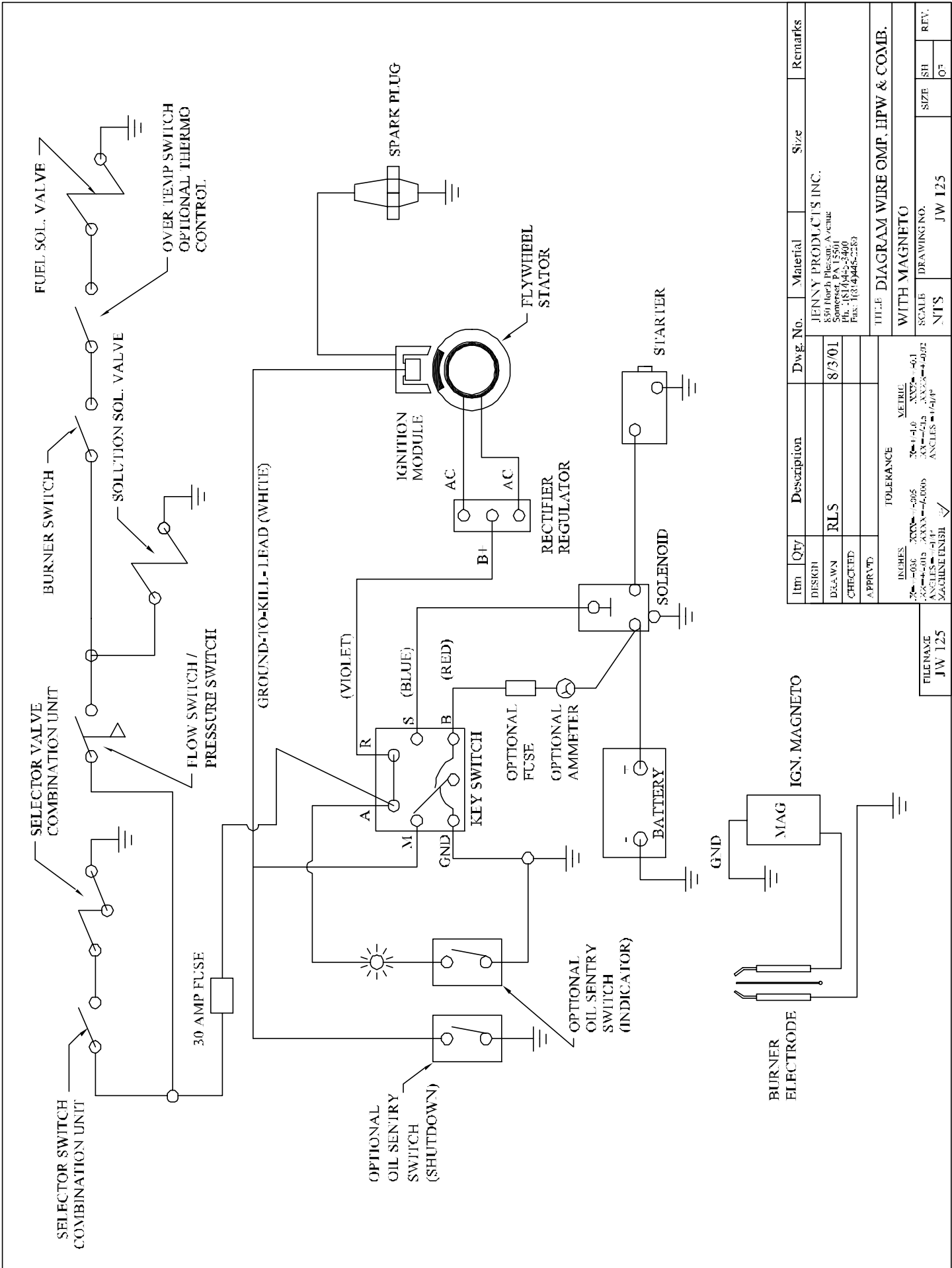
ITEM NO.	QTY.	DESCRIPTION	PART NO.
1	1	PUMP, OIL, FUEL, SNGLSTGE, 3GPM, 3450RPM, 24V	JD3306-F
2	1	ELBOW, MALE, BRASS, 1/4-45 SAE X 1/8 NPT	JD 651
3	1	PULLEY, CRS, SG, 1-3/4" OD X 5/16" ID (3L BELT)	JD3233-03
4	1	ELBOW, MALE, BRASS, 1/4-45 SAE X 1/4 NPT	JD 652
5	1	SCREW, SET, HEX, SOC, CUP, PNT, NYLK, 8-32X3/16	JD3241
6	1	CONNECTOR, FEMALE, BRASS, 1/4"-45° SAE X 1/4NPT	JD2391
7	1	NIPPLE, BRASS, 1/4 NPT X 2 LONG	JD 745-01
8	1	ELBOW, STREET, BRASS, 1/4 NPT	JD 670
9	1	COIL, SOLENOID, FUEL, 12DC/24VAC, SUNTEC,	JD3306-09
10	1	STEM-ASSY, SOLENOID, PUMP, FUEL, 12/24V	JD3306-08
11	1	CORDSET, VALVE, SOLENOID, FUEL, SUNTEC	JD3306-E

FIGURE 1-8(PUMP, FUEL, JENNY-BURNER, JP7738, OMP & OEP, ASSY)



ITEM NO.	QTY.	DESCRIPTION	PART NO.
1	1	VALVE, SOLENOID, SOLUTION, 12V, 1/4NPT	JD2162-D
2	1	BRACKET, MOUNTING, SOLUTION, SOLENOID	JD7760
3	1	BARB, HOSE, ELBOW, MALE, BRASS, 1/4HS X 1/4 NPT	JD7078
4	2	CLAMP, SLEEVE, PLASTIC, 3/8 I.D.	JD2759
5	1	TUBING, PVC, CLEAR, 3/8 O.D. X 1/4 I.D.	JD3087
6	1	BARB HOSE 1/4 HS X 1/4 NPT	JD2765
7	2	SCREW, SLF, DRL, HEX WASHER, PLTD, #10 X 5/8	JD7074-A
8	2	SCREW, MACHINE, PHILLIPS, ST, PL, 10-32 X 3/8	JD3234
9	2	WASHER, LOCK, SPLIT, STEEL, PLATED, #10	JD624
10	1	CONNECTOR, SOLENOID, RELIEF, STRAIN, DIN	JD7703

FIGURE 20-1 (VALVE, SOLUTION, SOLENOID, JD2162-D, ASSY)



Item	Qty	Description	Dwg. No.	Material	Size	Remarks
DESIGN				JENNY PRODUCTS INC.		
DESIGN	RLS		8/3/01	850 North West Avenue Gainesville, TX 76504 Ph: (817) 445-2400 Fax: (817) 445-2253		
CHECKED						
APPROV'D						
TOLERANCE INCHES: .005 .005-1.0: .005 1.0-2.5: .010 2.5-5.0: .015 5.0-10.0: .020 METRIC: .01 .01-1.0: .01 1.0-2.5: .02 2.5-5.0: .03 5.0-10.0: .04 ANGLES: 1/4°						
TITLE: DIAGRAM WIRE OMP, HPW & COMB. WITH MAGNETO SCALE: NTS DRAWING NO.: JW 125 SIZE: SH OT REV.						

FILE NAME  
JW 125