



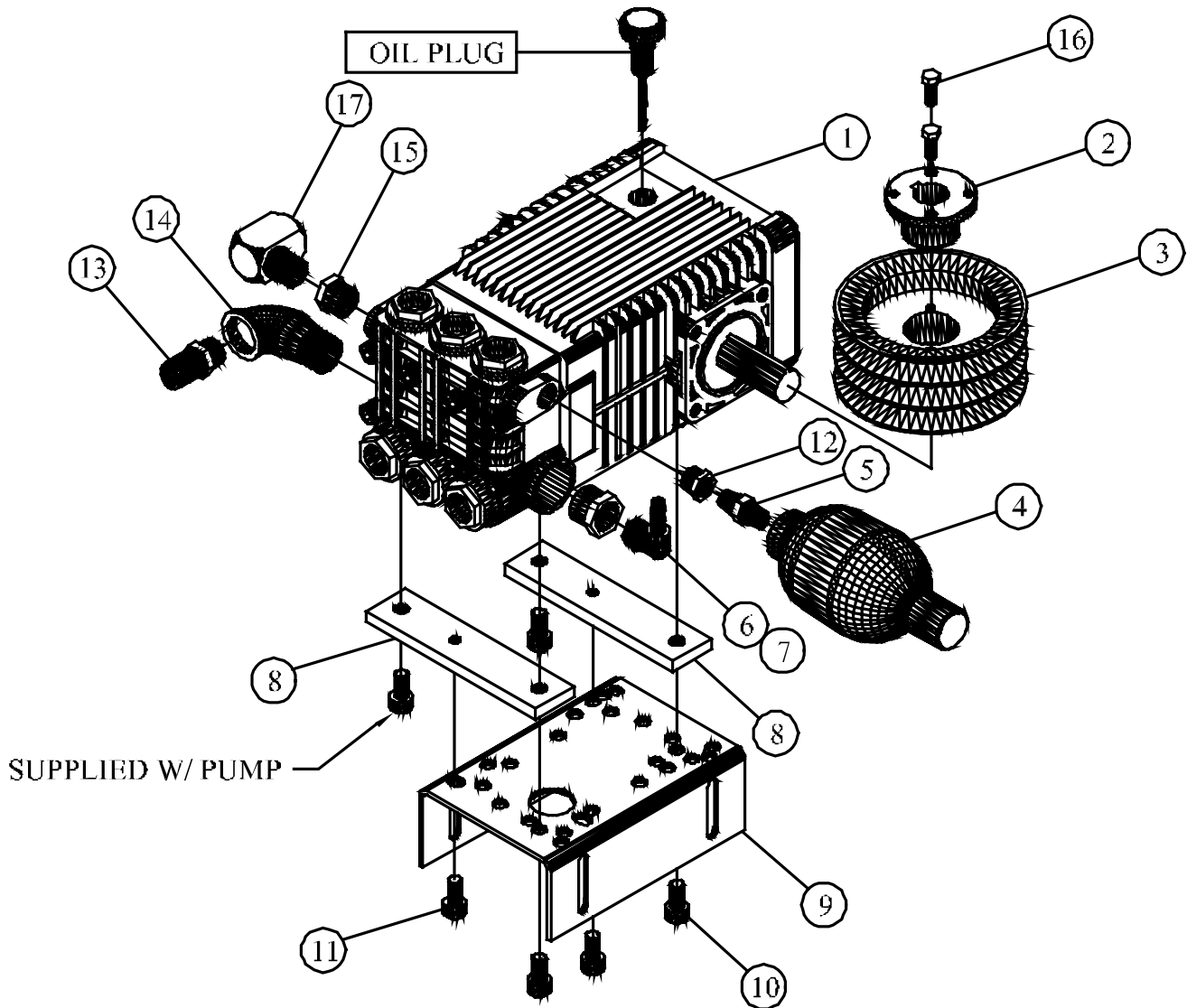
**HPW1510, GES, LWC, ELECT-IGN****208-230-460-575/60/3, NC, LWC****PARTS LIST**

Note: Figure 20- (Common Parts)

Electrical Dia. File: Jw 306

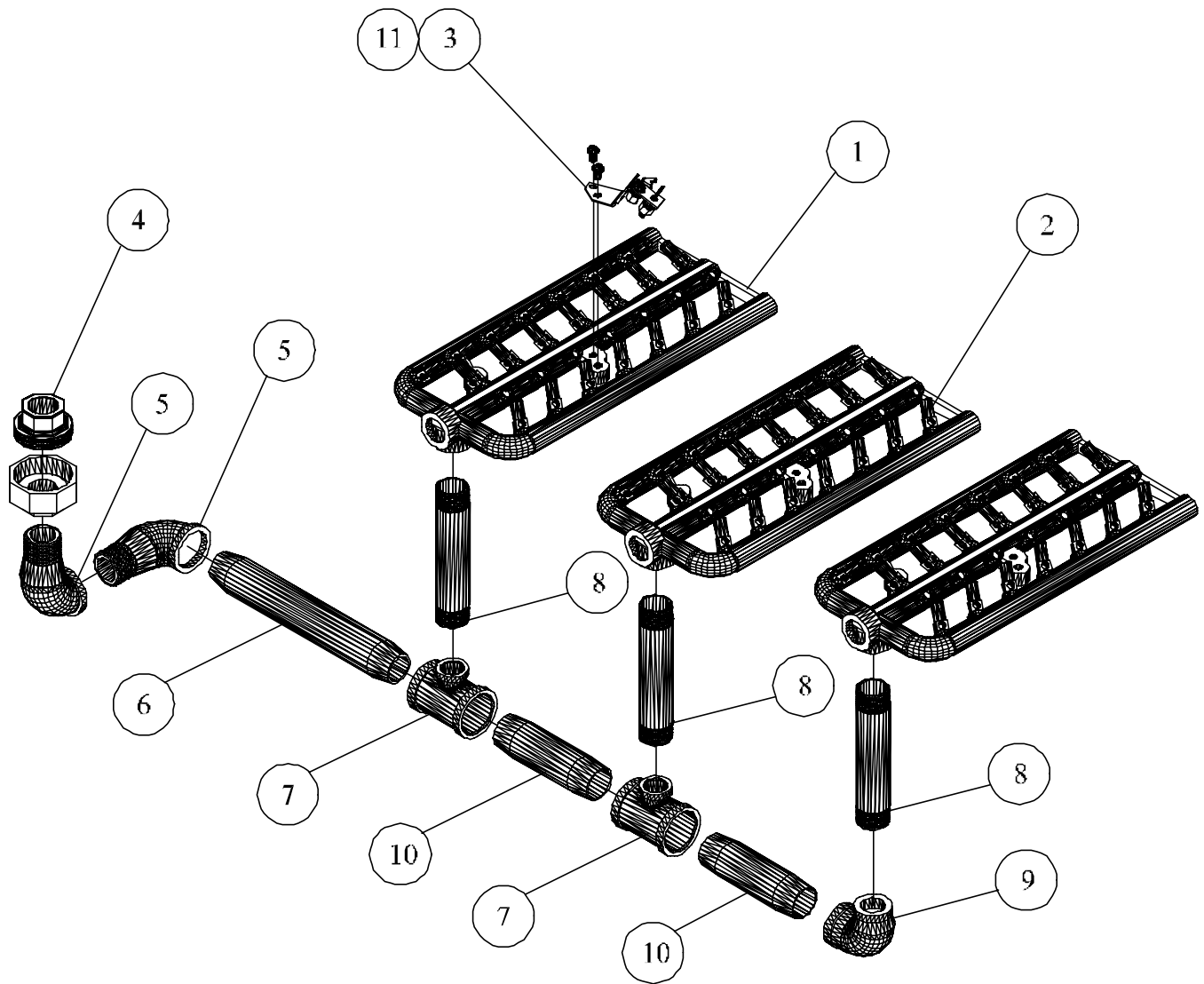
| <b>ITEM NO.</b>       | <b>DESCRIPTION</b>                                | <b>QTY.</b> | <b>PART NO.</b> |
|-----------------------|---|-------------|-----------------|
| 1                     | CHASSIS, MODULE, MOTOR-PUMP, GES, LES             | 1           | JD8500          |
| 2                     | CHASSIS, MODULE, COIL, STL, PNTD, SIZE-D          | 1           | JD8503          |
| 3                     | CASING, COIL, ASSY, 2100, GES                     | 1           | JP5506-A        |
| 4                     | COVER, ACCESS, CASING, COIL, GES, 1600-4800       | 1           | JP5314-01       |
| 5                     | LEGS, STATIONARY, STEEL, PAINTED, GES             | 4           | JD8507          |
| 6                     | LEG, ADJUSTABLE, FRONT, STEEL, PAINTED, GES       | 1           | JD8508          |
| 7                     | LEG, ADJUSTABLE, REAR, STEEL, PAINTED, GES        | 1           | JD8509          |
| 8                     | PANEL, SUPPORT, COVER, REAR, STL, PAINTED, GES    | 1           | JD8510          |
| 9                     | PANEL, SIDE, MODULE, CHASSIS, MTR, PMP, ST, GES   | 1           | JD8515          |
| 10                    | BRACKET, SUPPORT, BURNER, ST, SIZE-D              | 2           | JD8519          |
| 11                    | SHIELD, HEAT, BURNER, ST, PAINTED, SIZE-D         | 1           | JD8522          |
| 12                    | COVER, SS, ASSY, NEW, GES                         | 1           | JD8523          |
| 13                    | INSULATION, CERAMIC, 44"X88"X1"THK                | 1           | JD3086          |
| 14 ASSY               | TANK, FLOAT, SS, LARGE, BOLT-ON, GES              | 1           | JD8524          |
| 15 ASSY               | VALVE, FLOAT, BRASS, 60 PSI, 3/4" NPTM            | 1           | JD3013          |
| 16-A                  | MOTOR, 10HP, 230-480/60/3, 1725RPM, TEFC, F2, CF  | 1           | JB3019          |
| 16-B                  | MOTOR, 10HP, 575/60/3, 1725RPM, TEFC, F2, CF      | 1           | JB3020          |
| 17                    | PULLEY, CI, DG, TH, 3BK47H, 3.7PDA, 4.1PDB        | 1           | JD3904-55       |
| 18                    | PULLEY, CI, SG, TH, AK32H, 3.0 PDA, 2.66 PD3L     | 1           | JD3914-04       |
| 19                    | CONNECTOR, RELIEF, STRAINER, .700-.950, 1NPTM     | 1           | JD1687-19       |
| 20                    | WIRE, SO, CPE, BLACK, 8/4                         | 1.5         | JE 479          |
| 21 ASSY SEE FIG. 20-1 | SWITCH, PRESSURE, W/BRACKET, WELDED               | 1           | JP7731          |
| 22 ASSY               | MANIFOLD, FITTING, VALVE, HPW1510, ASSY, GES      | 1           | JD8218          |
| 23                    | BELT, VEE, COG, BX41                              | 3           | JD3959-06       |
| 24 ASSY SEE FIG. 20-2 | VALVE, SOLUTION, SOLENOID, 24V, 1/4NPT            | 1           | JD2162-F        |
| 25                    | HOSE, HYD, 3K, PSI, 23" L, 1/2 NPTM, 1/2NPTM      | 1           | JD7983          |
| 26 ASSY               | PUMP, MOUNTING & FITTING, ASSY, HPW1510, GES      | 1           | JD8318          |
| 27-A ASSY             | CONTROL, INLET, NAT, BURNER, ASSY, HPW1510, GES   | 1           | JD7881          |
| 27-B ASSY             | CONTROL, INLET, LP, BURNER, ASSY, HPW1880, LES    | 1           | JD7886          |
| 28-A ASSY             | MANIFOLD, NAT, BURNER, ASSY, HPW1510, GES         | 1           | JD7880          |
| 28-B ASSY             | MANIFOLD, LP, BURNER, ASSY, HPW1510, LES          | 1           | JD7885          |
| 29 ASSY               | BOX, JCT, PANEL, FRONT, 230-575/3PH, 30A, GES     | 1           | JE2013          |
| 30 ASSY               | PLATE, COVER, PANEL, CONT, BOX, JCT, HPW, GES     | 1           | JD8513          |
| 31                    | HOSE, HYD, 3K PSI, 102", 1/2NPTM, SWI, 3/8NPTM    | 1           | JD7982          |
| 32                    | COIL, GAS, FIRED, 1/2" PIPE, SCH40, HPW1510       | 1           | JP5608          |
| 33                    | TEE, FEMALE, STEEL, PLATED, 1/2NPT                | 1           | JD3734-01       |
| 34                    | PLUG, QUICK, COUPLING, BRASS, 1/2" NPTM           | 1           | JD3103-12       |
| 35                    | BUSHING, REDUCER, HEX, STEEL, PLATED, 1/2X3/8     | 1           | JD2599          |
| 36                    | ELBOW, FEMALE, STEEL, PLATED, 1/2 NPT             | 1           | JD 692          |
| 37                    | THERMOSTAT, IMMERSION, SP, ST, NC, 240, DEG F     | 1           | JD7137          |
| 38                    | RING, CASING, COIL, SS, 28-1/2O.D.X 11-15/16 I.D. | 1           | JD3072          |
| 39                    | MOLDING, RUBBER, FOAM, ADHESIVE, 1/2WX1/8T        | 4.166       | JD3782-B        |
| 40                    | CLAMP, SLEEVE, PLASTIC, 3/8I.D.                   | 6           | JD2759          |
| 41                    | SCREW, SLF TAP, PHILLIP, STEEL, 8-32 X 3/8        | 12          | JD3043          |
| 42                    | SCREW, PHILLIPS, HEAD, "N", COVER                 | 10          | JP7733          |
| 43                    | RETAINER, SCREW, PHILLIPS, HEAD, "N"              | 10          | JP7733-02       |
| 44                    | RECEPTACLE, CLIP-ON, STEEL, DACROTIZED            | 10          | JP7733-01       |
| 45                    | CLAMP, WIRE, IGNITION, STAND OFF                  | 1           | JD7001          |
| 46                    | GROMMET, RUBBER, BLACK, 5/8" I.D.                 | 7           | JD3385          |
| 47                    | GROMMET, RUBBER, BLACK, 7/16" I.D.                | 5           | JD3385-01       |
| 48                    | CLAMP, CABLE, NYLON, 3/8"                         | 3           | JD6055          |

|           |  |     |           |
|-----------|--|-----|-----------|
| 49        | GROMMET, RUBBER, BLACK1-1-1/2" I.D.                  | 2   | JP 675    |
| 50        | STRAINER, CHEMICAL, BRASS, 1/4" HOSEBARB             | 1   | JD7140-A  |
| 51        | TUBING, PVC, CLEAR 3/8"OD X 1/4ID                    | 7.1 | JD3087    |
| 52        | SCREW, FLANGE, HEX, SERR, ST, PL, 1/4-20 X 1/2       | 12  | JD7904-A  |
| 53        | BOLT, ELEVATOR, STEEL, PLATED, 3/8 X 2-1/2, 1 HD     | 2   | JD7906-G  |
| 54        | SCREW, FLANGE, HEX, SERR, STL, PLATED, 5/16-18 X 1/2 | 2   | JD7905    |
| 55        | SCREW, FLANGE, HEX, STL, PLATED, 3/8-16 X 3/4        | 34  | JD7906-A  |
| 56        | NUT, LOCK, FLANGE, HEX, SERR, STL, PLATED, 3/8-16    | 18  | JD7774-F  |
| 57        | J-BOLT, 3/8-16X4                                     | 2   | JP7182    |
| 58        | CLAMP, GEAR, WORM, SS, 11/16 TO 1-1/4DIA             | 4   | JD1229    |
| 59        | SCREW, CAP, HEX, STL, PLATED, FLT, 3/8-16 X 2-1/4    | 2   | JD7035    |
| 60        | NUT, LOCK, FLANGE, HEX, SERR, STL, PLATED, 1/4-20    | 2   | JD7774-D  |
| 61        | SCREW, SLF, DRL, PHILLIP, ST, PLTD, #8 X1/2          | 4   | JD6050    |
| 62        | SCREW, SLF DRL, HEX, WASHER, PLATED, #10 X 5/8       | 8   | JD7074-A  |
| 63        | SCREW, CARRIAGE, GR5, STL, PLATED, 3/8 X 6           | 2   | JD7798    |
| 64        | HOSE, RUBBER, BLACK, 3/4"                            | 3   | JE 558    |
| 65        | LUG, TERMINAL, COPPER, 3/16 BOLT, 6-14 GAUGE         | 1   | JD6152    |
| 66        | PLATE, NAME, ALUM, PRINT, BLACK, 4X4                 | 1   | JD3456    |
| 67        | TAG, WARNING, WATER, TRAP, GAS, FIRED, UNIT          | 1   | JD7207    |
| 68        | TAG, WARNING, GAS, PRESSURE                          | 1   | JD3097    |
| 69        | HOSE, WASH, PRESSURE, 3000PSI, 250F, 1/2 X 50FT      | 1   | JD7984    |
| 70        | GUN, TRIGGER, 4060PSI, 10.5GPM, 300 DEG              | 1   | JD7400-J  |
| 71        | LANCE, INSULATED, STL, ZINC-PLATED, 1/4 X 36         | 1   | JP7080-O  |
| 72        | SOCKET, QUICK COUPLING, BRASS, 1/2" NPTF             | 1   | JD3102-01 |
| 73        | SOCKET, QUICK COUPLING, BRASS, 1/4" NPTF             | 1   | JD3102-02 |
| 74        | NOZZLE, SPRAY, PSI, SS, QCK CON, 0 DEG, 0#15.0       | 1   | JD7755-13 |
| 75        | NOZZLE, SPRAY, PSI, SS, QCK CON, 15 DEG, 0#15.0      | 1   | JD7756-13 |
| 76        | NOZZLE, SPRAY, PSI, SS, QCK CON, 25 DEG, 0#15.0      | 1   | JD7757-13 |
| 77        | NOZZLE, SPRAY, PSI, SS, QCK CON, 40 DEG, 0#15.0      | 1   | JD7758-13 |
| 78        | WASHER, LOCK, SPLIT, STEEL, PLATED, 1/2"             | 4   | JD 615    |
| 79        | WASHER, FLAT, SERIES "N", STEEL, PLATED, 1/2         | 4   | JD7028    |
| 80        | SCREW, CAP, HEX, HD, STL, PLATED, 1/2-13 X 1"        | 4   | JD1165    |
| 81        | NUT, SPEED, TINNEMAN, 1/4-20                         | 2   | JD7042    |
| NOT SHOWN | DECAL, DANGER, WARNING, CAUTION, LARGE               | 3   | JD7239    |
| NOT SHOWN | DECAL, ALL, HPW1510, BLUE, LARGE                     | 1   | JD8459    |
| NOT SHOWN | DECAL, WARNING, VALVE, TURN-OFF                      | 1   | JD6155-A  |
| NOT SHOWN | DECAL, NOTICE, GROUND, 4MILTHK, 5YRWHT               | 1   | JD2344-01 |
| NOT SHOWN | DECAL, MADE-IN-THE-USE, JENNY                        | 1   | JD6211    |
| NOT SHOWN | DECAL, PACKED, GROOMED, TESTED                       | 1   | JD6013    |
| NOT SHOWN | DIVERTER, DRAFT, VERTICAL, 12"                       | 1   | JD3073    |



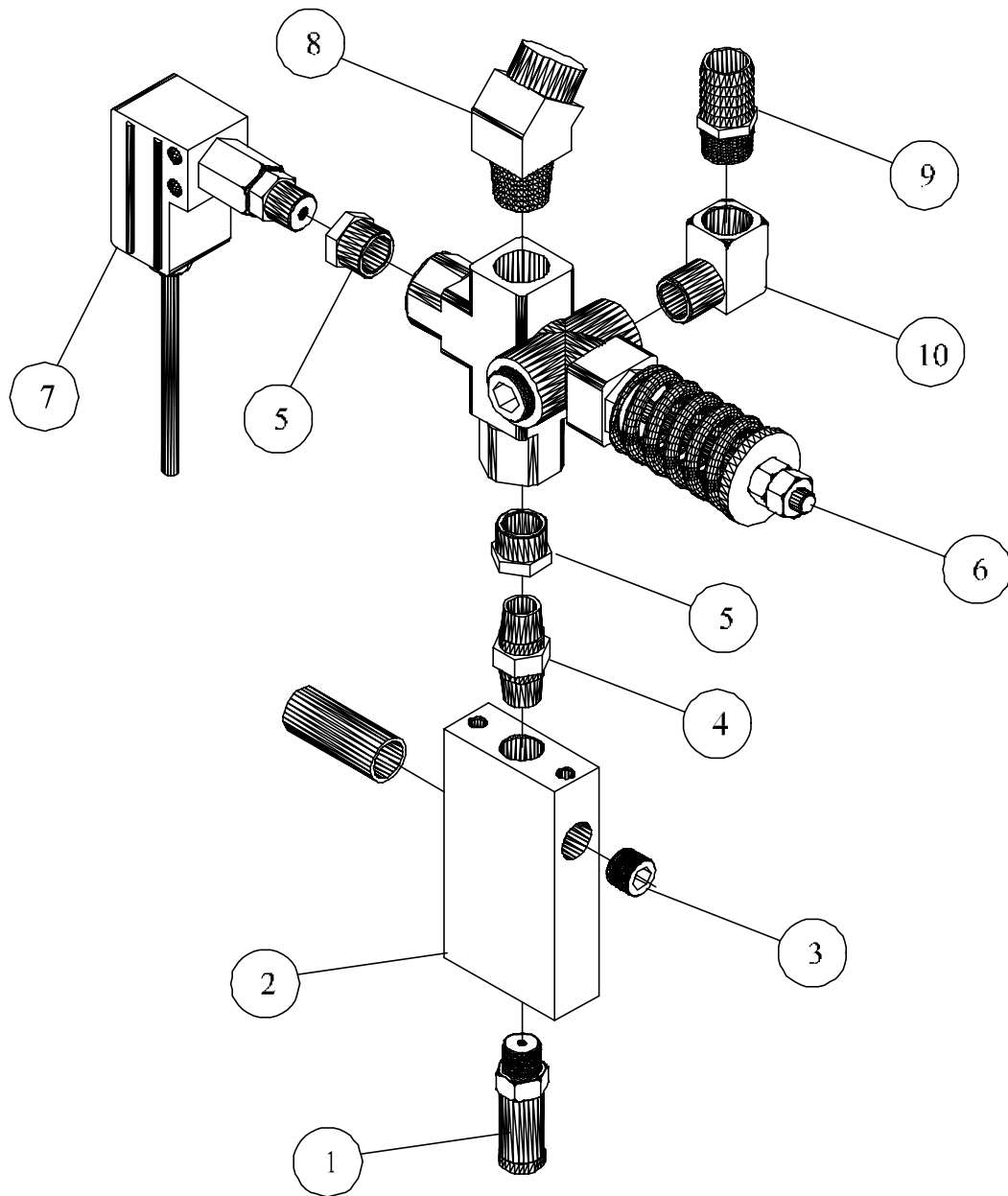
| ITEM NO. | QTY. | DESCRIPTION  | PART NO.  |
|----------|------|--|-----------|
| 1        | 1    | PUMP, PLUNGER, TRIPLEX, 2500PSI, 10.0GPM, GIA      | JD7457    |
| 2        | 1    | BUSHING, PULLEY, TAPERED, 28MM, BORE               | JD3915-14 |
| 3        | 1    | PULLEY, CI, TG, TH, 3BK57H, 4.7PDA, 5.1DB          | JD3904-79 |
| 4        | 1    | ACCUMULATOR, BLADDER, 3000#, 700# CHARGED          | JD7646-G  |
| 5        | 1    | NIPPLE, HEX, STEEL, PLATED, 3/8 NPT X 3/8 NPT      | JD3716-01 |
| 6        | 1    | BUSHING, REDUCER, HEX, BRASS, 3/4 X 3/8            | JD3114    |
| 7        | 1    | BARB, HOSE, MALE, BRASS, 1/4HS X 3/8NPTM           | JD7871    |
| 8        | 2    | PAD, MOUNTS, PUMP, GIANT                           | JD8532    |
| 9        | 1    | PLATE, MOUNTING, PUMP, STEEL, PAINTED              | JD8016    |
| 10       | 2    | SCREW, CAP, SOCKET, HD, STL, PLTD, M10-1.5 X30 MM  | JD3797-A  |
| 11       | 2    | SCREW, CAP. HEX. HD, ST, PL 3/8-16-X 1/2           | JD 560    |
| 12       | 1    | BUSHING, REDUCER, HEX, STEEL, 3/4X 3/8             | JD 990-02 |
| 13       | 1    | BARB, HOSE, MALE, BRASS, 3/4HS X 3/4NPTM           | JD3855    |
| 14       | 1    | ELBOW, STREET, BRASS, 3/4 NPT                      | JD7988    |
| 15       | 2    | BUSHING, REDUCER, HEX, STEEL, PLATED, 3/4 X 1/2    | JD7627    |
| 16       | 2    | H.H.B. 1/4-20 X 3/4 L - CLASS 5 SUPPLIED W/BUSHING |           |
| 17       | 1    | ELBOW, STREET, STEEL, PLATED, 1/2" NPT             | JD3717    |

FIGURE 1-1 (Pump, Mounting, Fitting, JD8318, HPW1510, Assy)



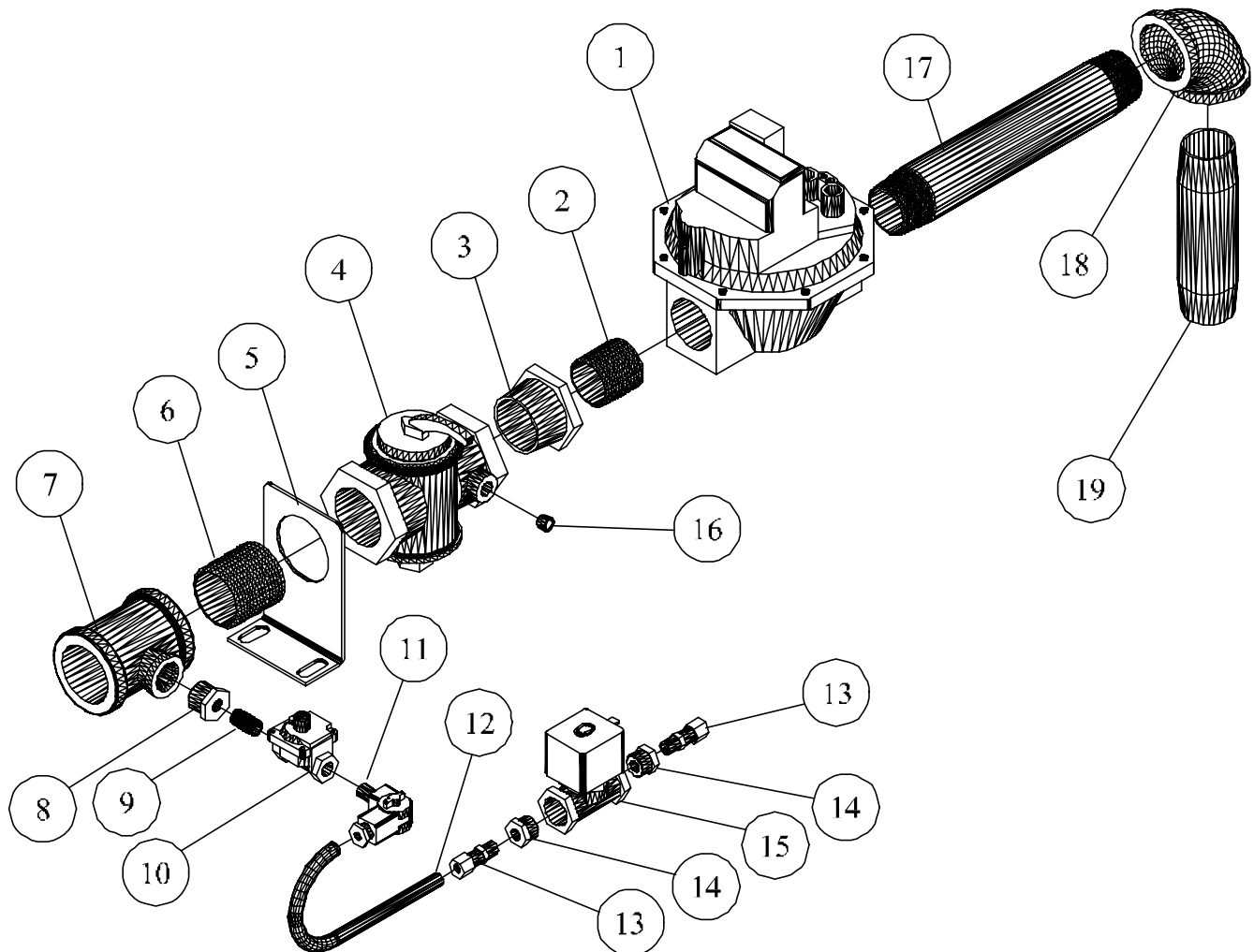
| ITEM NO. | QTY. | DESCRIPTION                                    | PART NO.  |
|----------|------|--|-----------|
| 1-A      | 3    | BURNER, NAT, #640 JETS, 0#48, U-29             | JD3128-B  |
| 1-B      | 3    | BURNER, LP, #640 JETS, 0#56, U-29              | JD3229    |
| 2-A      | 84   | JET, BURNER, GAS, NATURAL #48, .076            | JD3129-A  |
| 2-B      | 84   | JET, BURNER, GAS, LP, BRASS #56, .047          | JD2360    |
| 3-A      | 1    | PILOT, BURNER, NAT, Q314B1019                  | JD2359-01 |
| 3-B      | 1    | PILOT, BURNER, LP, Q314B1019                   | JD2359-02 |
| 4        | 1    | UNION, FEMALE, MI, 150#, BRZ-IR SEAT, 1-1/4    | JD1294    |
| 5        | 2    | ELBOW, STREET, MI, 150#, 1-1/4 NPT             | JD1013    |
| 6        | 1    | NIPPLE, STEEL, SCH40, 1-1/4NPTX9LONG           | JD3466    |
| 7        | 2    | TEE, FEMALE, MI, 150#,1-1/4 X1-1/4 X3/4        | JD1274    |
| 8        | 3    | NIPPLE, STEEL, SCH 40, 3/4NPT X 5 LONG         | JD1219    |
| 9        | 1    | ELBOW, FEMALE, MI, 1-1/4 NPT X 3/4 NPT         | JD 993    |
| 10       | 2    | NIPPLE, STEEL , SCH 40, 1-1/4 NPT X 5-1/2 LONG | JD3074    |
| 11       | 1    | SENSOR, IGNITOR, W/MT-BRKT&HDWARE, 60"LEAD     | JP7694-D  |

FIGURE 1-2 (Burner, Gas, Natural, JD7880, Hpw 1510 Assy)



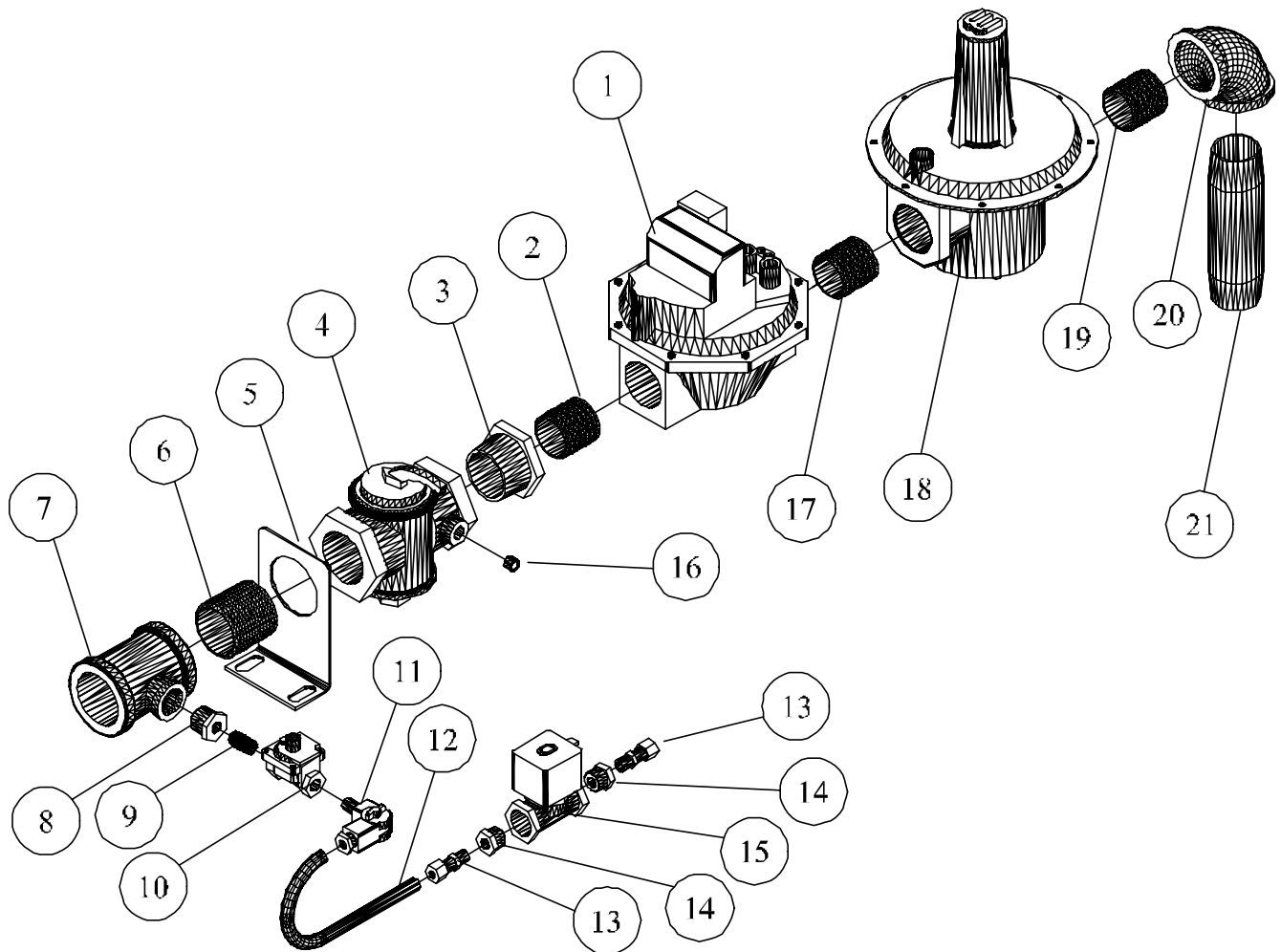
| ITEM NO. | QTY. | DESCRIPTION                                   | PART NO.  |
|----------|------|---|-----------|
| 1        | 1    | VALVE, RELIEF, 2400-3000PSI, 160F, 3/8NPTM    | JD7048-A  |
| 2        | 1    | MANIFOLD, FITTING, STEEL, PLATED ,ALL UNITS   | JP7716    |
| 3        | 2    | PLUG, SOCKET, HEX, BRASS, 3/8 NPT             | JD7151    |
| 4        | 1    | NIPPLE, HEX, STEEL, PLATED, 3/8NPT X 3/8NPT   | JD3716-01 |
| 5        | 2    | BUSHING, REDUCER, HEX, STEEL, PLATED, 1/2X3/8 | JD2599    |
| 6        | 1    | VALVE, UNLOAD, PSI,ACT, 2200PSI, 21.0GPM      | JD3324-R  |
| 7        | 1    | SWITCH, PSI, SP, ST, NO, 15A, 230V, 3/8NPT    | JD3977    |
| 8        | 1    | ELBOW, STREET, 45 DEG, STEEL PLATED1/2"NPT    | JD7992    |
| 9        | 1    | BARB, HOSE, MALE, BRASS, 3/4NPT X 1/2NPT      | JE 554-02 |
| 10       | 1    | ELBOW, STREET, BRASS, FORGED, 1/2NPT          | JD 800-01 |

FIGURE 1-3 (Manifold, Fitting, Valve, JD8218, Hpw1510, Assy)



| ITEM NO. | QTY. | DESCRIPTION  | PART NO.  |
|----------|------|--|-----------|
| 1        | 1    | VALVE, COMBINATION, NAT, 24VAC, 1-1/4"             | JD3845-K  |
| 2        | 1    | NIPPLE, CLOSE, STEEL, SCH40, 1-1/4" NPT            | JE 886    |
| 3        | 1    | BUSHING, REDUCER, HEX, MI, 1-1/2" X 1-1/4"         | JD3075    |
| 4        | 1    | COCK, GAS, AGA & CGA, CERTIFIED, 1-1/2" NPTF       | JP1496-A  |
| 5        | 1    | BRACKET, MANIFOLD, GES, INLET, SIZE-C & D          | JD8525    |
| 6        | 1    | NIPPLE, CLOSE, STEEL, SCH 40, 1-1/2"NPT            | JD1243    |
| 7        | 1    | TEE, FEMALE, MI, 150#, 1-1/2" X 1-1/2" X 1/2       | JD3076    |
| 8        | 1    | BUSHING, REDUCER, HEX, BRASS, 1/2 X 1/8            | JD6243    |
| 9        | 1    | NIPPLE, CLOSE, STEEL, SCH 80, 1/8" NPT             | JD2167    |
| 10       | 1    | REGULATOR, GAS, PILOT, NAT, 3-6", RV10, 1/8"       | JD6008    |
| 11       | 1    | VALVE, PILOT, SHUTOFF, BRASS, 1/8 NPT M X 1/4 TUBE | JP2510-05 |
| 12       | 1    | TUBING, ALUMINUM, 1/4 O.D. X .032 WALL             | JD1820    |
| 13       | 2    | CONNECTOR, MALE, COMPRESSION, BRASS, 1/4TBX1/8     | JD3780-A  |
| 14       | 2    | BUSHING, REDUCER, HEX, BRASS, 3/8 X 1/8            | JD3092    |
| 15       | 1    | VALVE, SOLENOID, GAS, 24V, 3/8 NPT                 | JP3731-B  |
| 16       | 1    | PLUG, SOCKET, HEX, BRASS, 1/8 NPT                  | JD7243    |
| 17       | 1    | NIPPLE, STEEL, SCH 40, 1/1/4 NPT X 9 LONG          | JD3466    |
| 18       | 1    | ELBOW, FEMALE, MI, 150#, 1-1/4 X 1-1/4             | JE 888    |
| 19       | 1    | NIPPLE, STEEL, SCH 40, 1-1/4 NPT X 5-1/2 LONG      | JD3074    |

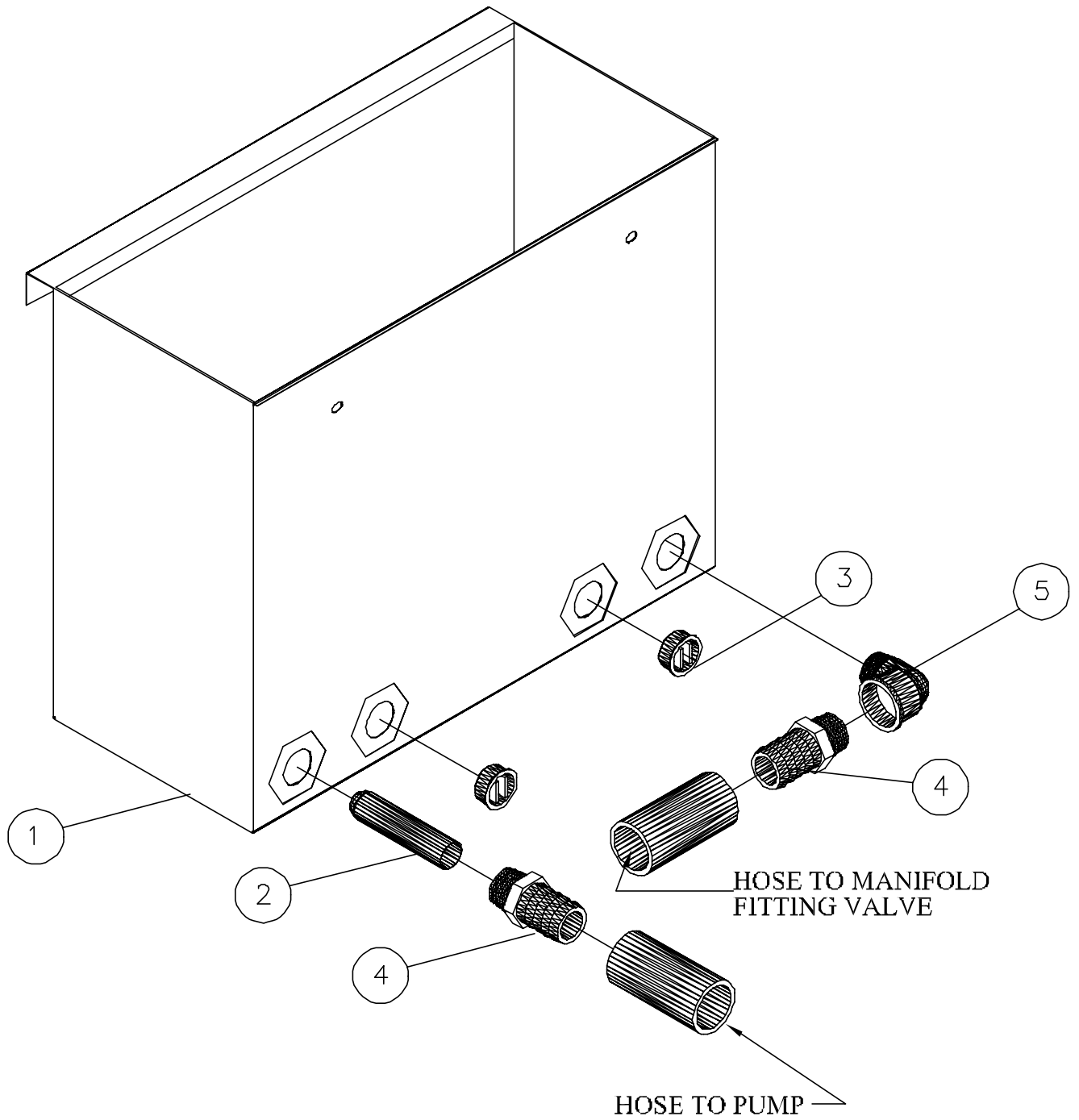
FIGURE 1-4A (Manifold, Burner, Nat. Gas, Inlet, JD7881, Hpw1510, Assy)



| ITEM NO. | QTY. | DESCRIPTION                                       | PART NO.  |
|----------|------|---|-----------|
| 1        | 1    | VALVE, SOLENOID, LP GAS, 24 VAC., 1-1/4"          | JE 919-A  |
| 2        | 1    | NIPPLE, CLOSE, STEEL, SCH40, 1-1/4" NPT           | JE 886    |
| 3        | 1    | BUSHING, REDUCER, HEX, MI, 1-1/2" X 1-1/4"        | JD3075    |
| 4        | 1    | COCK, GAS, AGA, CGA, CERTIFIED, 1-1/2 NPTF        | JP1496-A  |
| 5        | 1    | BRACKET, MANIFOLD, GES, INLET, SIZE C&D           | JD8525    |
| 6        | 1    | NIPPLE, CLOSE, STEEL, SCH 40, 1-1/2"NPT           | JD1243    |
| 7        | 1    | TEE, FEMALE, MI, 150#, 1-1/2" X 1-1/2" X 1/2      | JD3076    |
| 8        | 1    | BUSHING, REDUCER, HEX, BRASS, 1/2 X 1/8           | JD6243    |
| 9        | 1    | NIPPLE, CLOSE, STEEL, SCH 80, 1/8" NPT            | JD2167    |
| 10       | 1    | REGULATOR, GAS, PILOT,LP,5.5-12",RV10,1/8"        | JD6008-A  |
| 11       | 1    | VALVE, PILOT, SHUTOFF, BRASS, 1/8 NPT M X1/4 TUBE | JP2510-05 |
| 12       | 1    | TUBING, ALUMINUM, 1/4 O.D. X .032 WALL            | JD1820    |
| 13       | 2    | CONNECTOR, MALE, COMPRESSION, BRASS, 1/4TBX1/8    | JD3780-A  |
| 14       | 2    | BUSHING, REDUCER, HEX, BRASS, 3/8 X 1/8           | JD3092    |
| 15       | 1    | VALVE, SOLENOID, GAS, 24V, 3/8 NPT                | JP3731-B  |
| 16       | 1    | PLUG, SOCKET, HEX, BRASS, 1/8 NPT                 | JD7243    |
| 17       | 1    | NIPPLE, STEEL, SCH 40, 1/1/4 NPT X 2" LONG        | JD1414    |
| 18       | 1    | REGULATOR, GAS, LP,5"-12"WC,1-1/4 NPTF            | JD3077-A  |
| 19       | 1    | NIPPLE, CLOSE, STEEL, SCH 40, 1-1/4 NPT           | JE 886    |
| 20       | 1    | ELBOW,FEMALE,MI,150#,1-1/4 X 1-1/4                | JE 888    |
| 21       | 1    | NIPPLE, STEEL, SCH 40, 1-1/4 NPT X 5-1/2 LONG     | JD3074    |

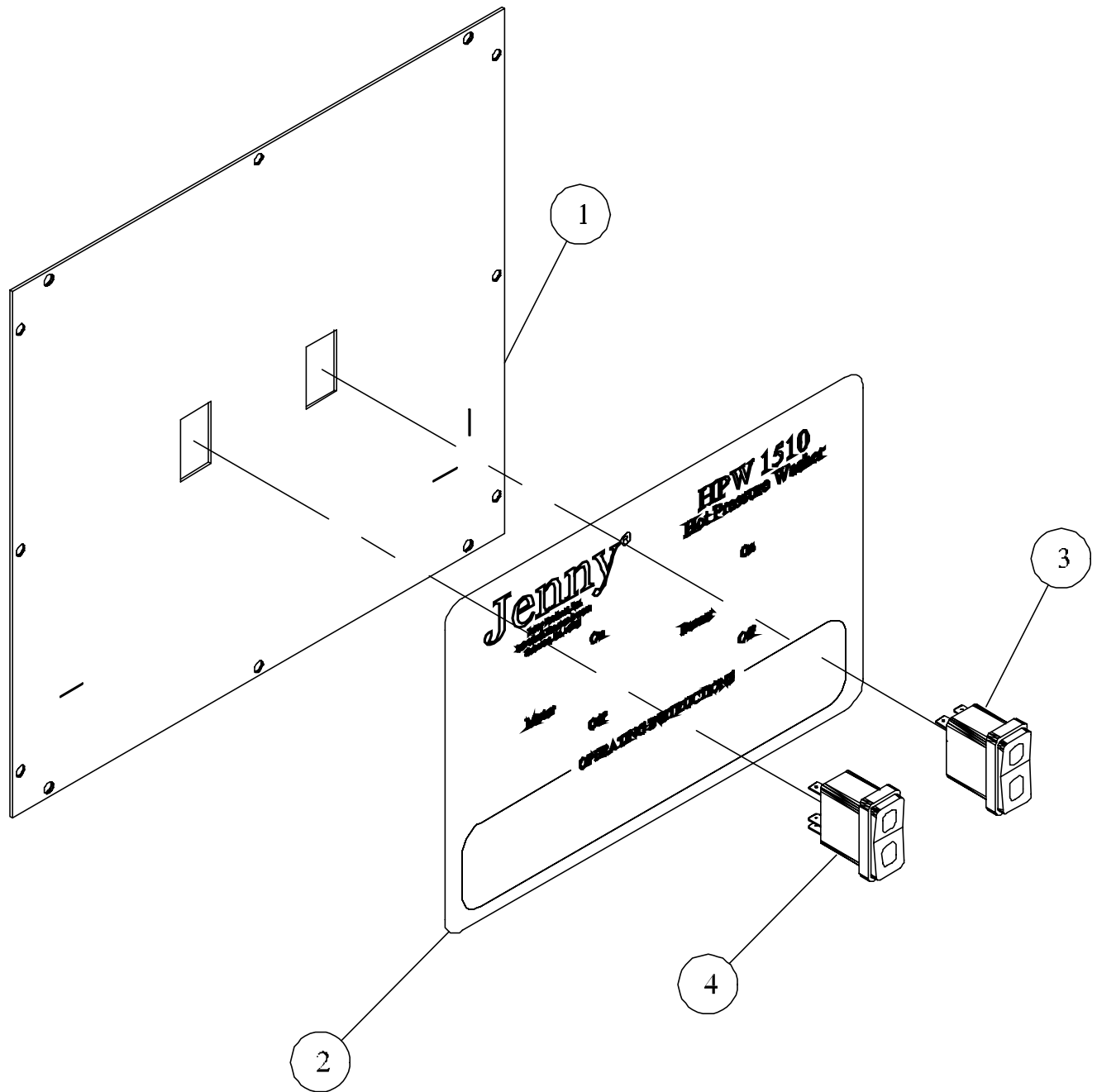
FIGURE 1-4B (Manifold, Burner, LP Gas, Inlet, JD7886, Hpw1510, Assy)





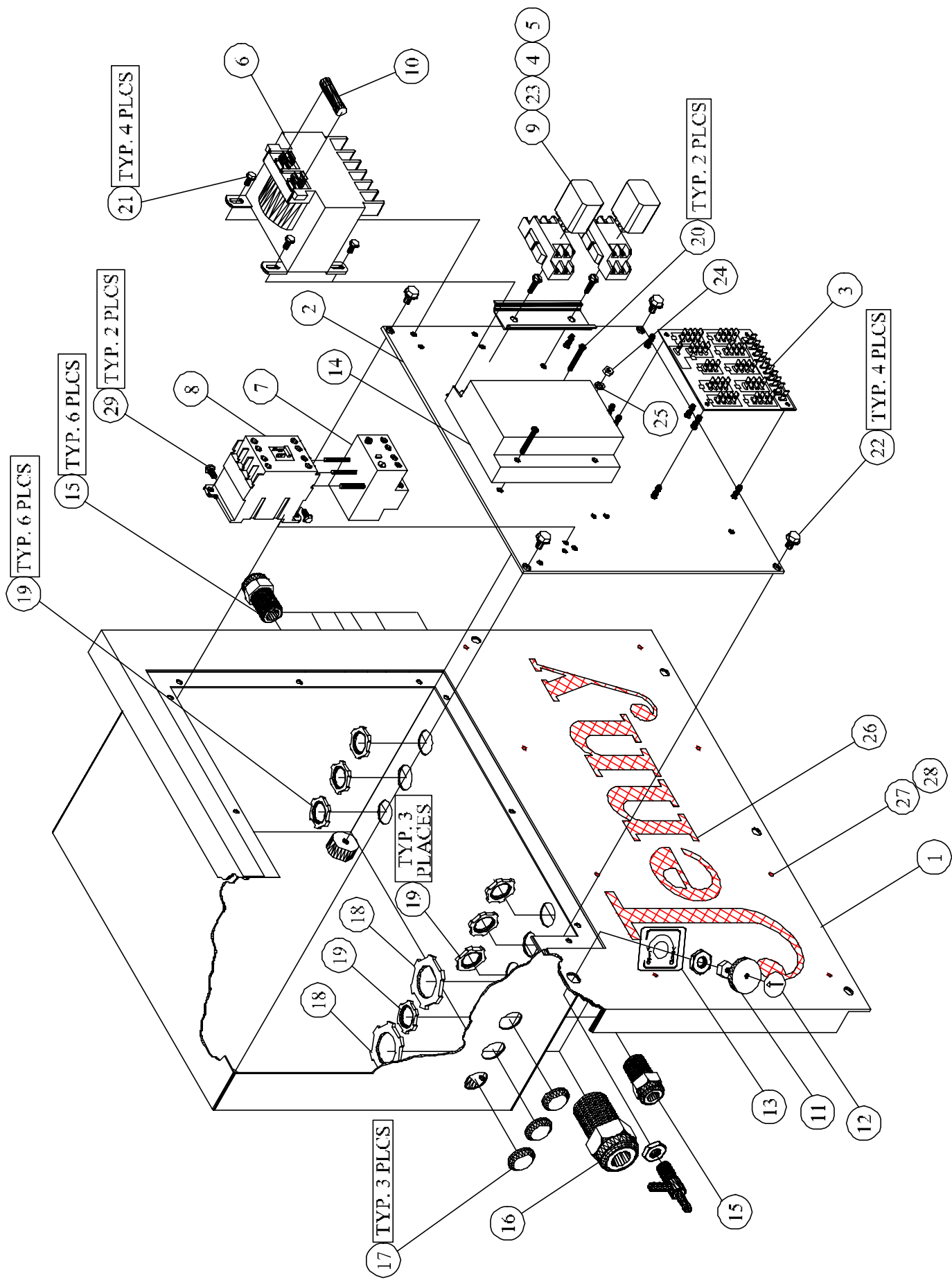
| ITEM NO. | QTY. | DESCRIPTION                                       | PART NO.  |
|----------|------|---|-----------|
| 1        | 1    | TANK, FLOAT, SS, LARGE, BOLT-ON, GES              | JD8524    |
| 2        | 1    | STRAINER, WATER, SS, 30 MESH, 25/32 O.D.X3-1/8 LG | JD3843    |
| 3        | 2    | PLUG, TRISURE, STAINLESS, STEEL, 3/4NPTM          | JD1339-01 |
| 4        | 2    | BARB, HOSE, MALE, BRASS, 3/4 HS X 3/4 NPT         | JD3855    |
| 5        | 1    | ELBOW, STREET, BRASS, 3/4" NPT                    | JD7988    |

FIGURE 1-5 (Tank, Float, Fitting, JD8524, Hpw1510, Assy)

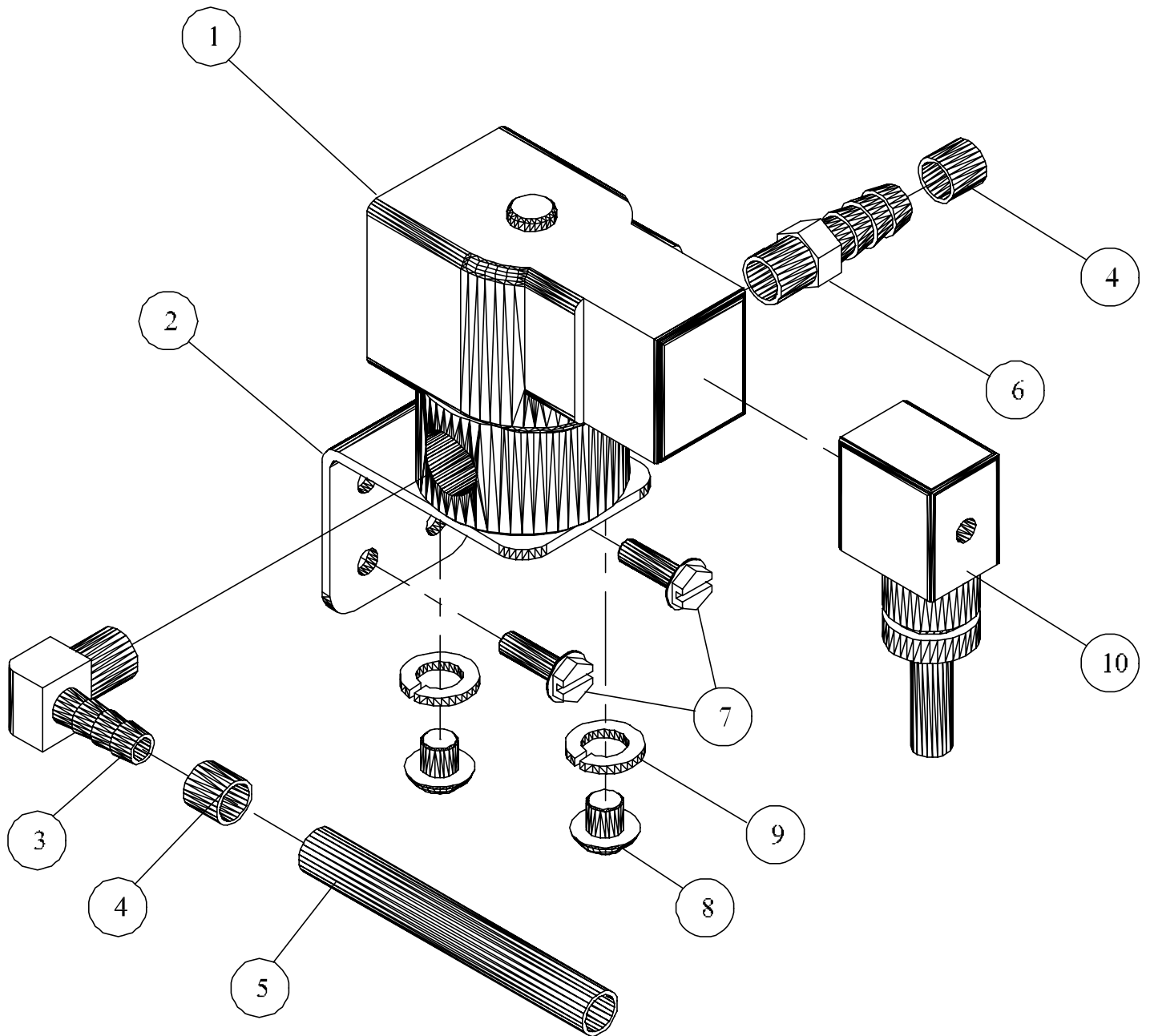


| ITEM NO. | QTY. | DESCRIPTION                                     | PART NO. |
|----------|------|---|----------|
| 1        | 1    | PLATE, COVER, PANEL, CONT, BOX, JUNC., HPW, GES | JD8513   |
| 2        | 1    | DECAL, PANEL, INSTRUCTION, HPW 1510, GES        | JD8410   |
| 3        | 1    | SWITCH, ROCKER, SP, ST, 10A, 24V, LED, LIGHT    | JE1004   |
| 4        | 1    | SWITCH, ROCKER, DP, DT, OFF-ON-MOM-10A, 24V     | JE1006   |

FIGURE 1-6 (Panel, Instruction, JD8513, Hpw1510, Assy)

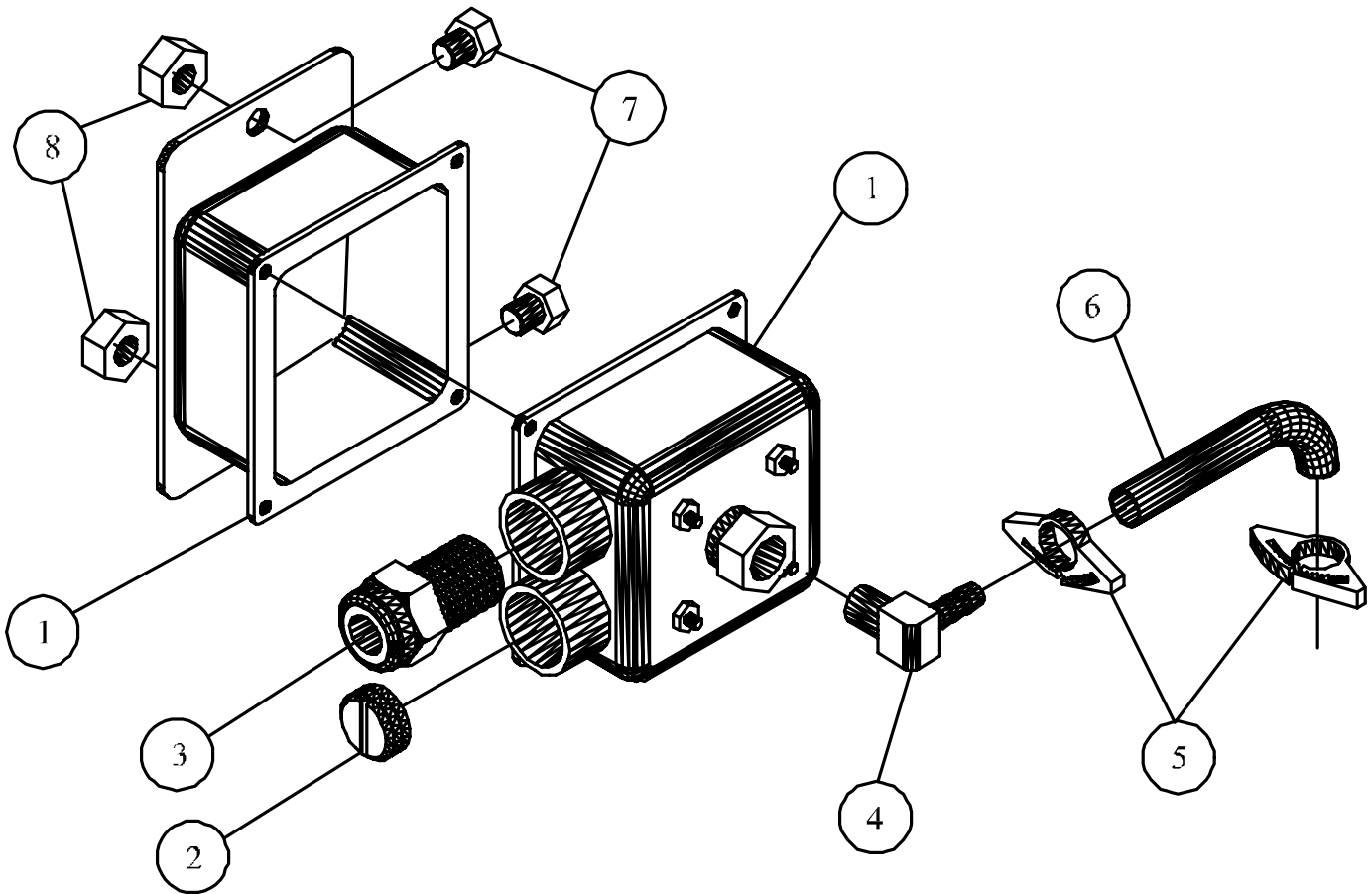


| ITEM NO. | DESCRIPTION  | QTY. | PART NO.  |
|----------|--|------|-----------|
| 1        | PANEL,CONTROL,BOX,JUNCTION,STL,PNTD,GES                | 1    | JD8511    |
| 2        | PLATE,MOUNTING,PANEL,CONT,BOX,JCT,ST,GES               | 1    | JD8512    |
| 3        | BOARD,CIRCUIT,PRINTED,ALL MACHINES                     | 1    | JB5000    |
| 4        | BASE,RELAY,DP  | 2    | JD7819-A  |
| 5        | RELAY,DP,DT,24VAC                                      | 2    | JD7819    |
| 6-A      | TRNSFRMR,CTRL,OPN,100VA,120-460VP,24VS                 | 1    | JD2868    |
| 6-B      | TRNSFRMR,CTRL,OPN,100VA,600VP,24VS                     | 1    | JD3987-13 |
| 7-A      | RELAY,OVERLOAD,PLUG-IN,12-37 AMPS (BEFORE 5-1-01)      | 1    | JD7651-20 |
| 7-B      | RELAY,OVERLOAD,THERMAL,PLUG-IN,18-30A (AFTER 5-1-01)   | 1    | JD7651-36 |
| 7-C      | RELAY,OVERLOAD,THERMAL,PLUG-IN,10-16A (AFTER 5-1-01)   | 1    | JD7651-34 |
| 8-A      | STARTER,DP,OP,3P,50A,24V,CA7-SERIES,SS (BEFORE 5-1-01) | 1    | JD7651-R  |
| 8-B      | RELAY,OVERLOAD,THERMAL,PLUG-IN,10-16A (AFTER 5-1-01)   | 1    | JD7651-V  |
| 9        | RAIL,DIN,STL,PLTD,TAIL,DOVE,1 3/8X5/16                 | 0.16 | JD7768-A  |
| 10       | FUSE,ELEMENT,DUAL,DELAY,TIME,250V,6AMP                 | 1    | JD3107-11 |
| 11       | VALVE,NEEDLE,SOLUTION,BRASS,1/4IDHS-BARB               | 1    | JD6248-A  |
| 12       | DECAL,INDICATOR,HANDLE,VALVE,SOLUTION                  | 1    | JD7143    |
| 13       | DECAL,SOLUTION,METERING,VALVE                          | 1    | JD7821    |
| 14       | CONTROL,IGNITION,UNIT,LOCKOUT,SP745                    | 1    | JP7694-A  |
| 15       | CONNECTOR,RELIEF,STRAIN,1/4-3/8,1/2 NPTM               | 6    | JD1687-06 |
| 16       | CONNECTOR,RELIEF,STRAIN,.700-.950,1NPTM                | 2    | JD1687-19 |
| 17       | PLUG,HOLE,PLASTIC,BLACK,7/8"                           | 3    | JD3856    |
| 18       | NUT,LOCK,CONDUIT,STEEL,PLATED,1"                       | 2    | JD3739    |
| 19       | NUT,LOCK,CONDUIT,STEEL,PLATED,1/2"                     | 6    | JP 809    |
| 20       | SCREW,MACHINE,PHILLIPS,STEEL,PLATED,8-32 X 1"          | 2    | JD 838    |
| 21       | SCREW,FLANGE,HEX,SERR,ST,PL,8-32x3/8                   | 4    | JD7901-B  |
| 22       | SCREW,FLANGE,HEX,SERR,ST,PL,1/4-20X3/8                 | 4    | JD7904    |
| 23       | SCREW,SLF DRL,HEX WASHER,PLTD,#10x5/8                  | 1    | JD7074-A  |
| 24       | NUT,HEX,STEEL,PLATED,10-32                             | 1    | JD 781    |
| 25       | WASHER,LOCK,SPLIT,STEEL,PLATED,#10                     | 1    | JD 624    |
| 26       | SCREEN,COVER,MACHINE,ST,PAINTED                        | 1    | JP7720-01 |
| 27       | RIVET,AL,.160-.164 HOLE,.063-.125 GRP,5/32             | 8    | JP7720-02 |
| 28       | WASHER,FLAT,SS,3/4 O.D.X 5/32 I.D. X 20 GAUGE          | 8    | JP7720-03 |
| 29       | SCREW,FLANGE,HEX,SERR,ST,8-32 X 5/8                    | 2    | JD7901-D  |



| ITEM NO. | QTY. | DESCRIPTION                                     | PART NO. |
|----------|------|---|----------|
| 1        | 1    | VALVE, SOLENOID, SOLUTION, 24V, 1/4NPT          | JD2162-F |
| 2        | 1    | BRACKET, MOUNTING, SOLUTION, SOLENOID           | JD7760   |
| 3        | 1    | BARB, HOSE, ELBOW, MALE, BRASS, 1/4HS X 1/4 NPT | JD7078   |
| 4        | 2    | CLAMP, SLEEVE, PLASTIC, 3/8 I.D.                | JD2759   |
| 5        | 1    | TUBING, PVC, CLEAR, 3/8 O.D. X 1/4 I.D.         | JD3087   |
| 6        | 1    | BARB HOSE 1/4 HS X 1/4 NPT                      | JD2765   |
| 7        | 2    | SCREW, SLF, DRL, HEX WASHER, PLTD, #10 X 5/8    | JD7074-A |
| 8        | 2    | SCREW, MACHINE, PHILLIPS, ST, PL, 10-32 X 3/8   | JD3234   |
| 9        | 2    | WASHER, LOCK, SPLIT, STEEL, PLATED, #10         | JD624    |
| 10       | 1    | CONNECTOR, SOLENOID, RELIEF, STRAIN, DIN        | JD7703   |

FIGURE 20-1 (VALVE, SOLUTION, SOLENOID, JD2162-F, ASSY)



| ITEM NO. | QTY. | DESCRIPTION                                    | PART NO.  |
|----------|------|--|-----------|
| 1        | 1    | SWITCH, PRESSURE, W/BRACKET, WELDED ASSY       | JP7731    |
| 2        | 1    | PLUG, HOLE, BOX, JUNCTION, 1/2 NPS             | JD7719    |
| 3        | 1    | CONNECTOR, RELIEF, STRAIN, 1/4-3/8, 1/2NPM     | JD1687-06 |
| 4        | 1    | BARB, HOSE, ELBOW, MALE, BRASS, 1/4HS X 1/4NPT | JD7078    |
| 5        | 2    | CLAMP, HOSE, NYLON, BLACK, .406/.468 DIA       | JD-7859-A |
| 6        | 1    | TUBING, PVC, REINFORCED, 1/4ID                 | JD7850    |
| 7        | 2    | SCREW, FLANGE, HEX, SERR,ST, PL, 1/4-20 X 1/2  | JD7904-A  |
| 8        | 2    | NUT, LOCK, FLANGE, HEX, SERR, ST, PL, 1/4-20   | JD7774-D  |

FIGURE 20-2 (SWITCH, PRESSURE, W/BRACKET, WELDED, JD7731, ASS'Y)

