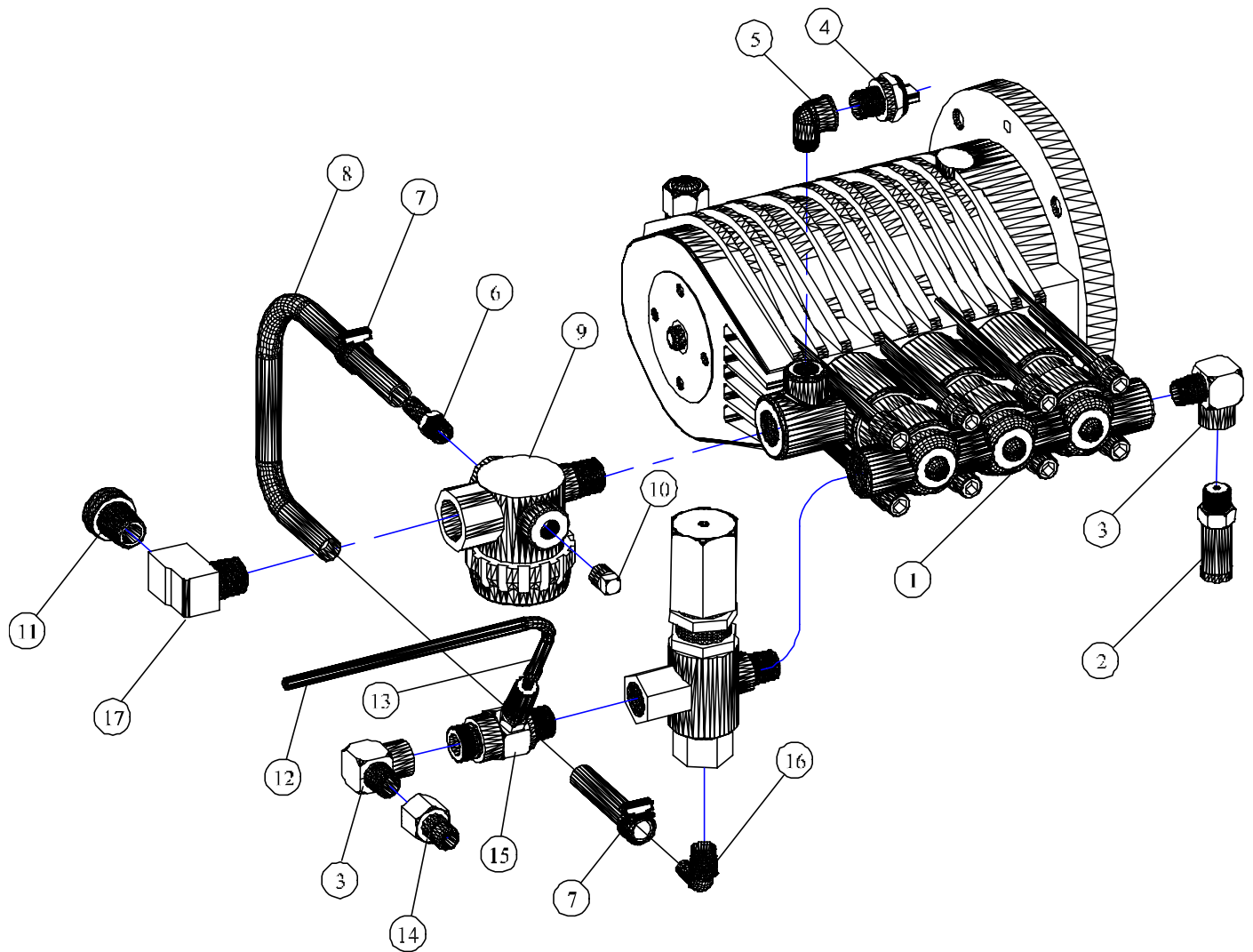


JENNY PRODUCTS INC.
 HPJ2545-E 230/60/3, N/C, CAT

HPJ2545-E, 23060/3, N/C, CAT			
PARTS LIST			
ITEM NO.	DESCRIPTION	QTY.	PART NO.
1	FRAME,CAGE,ROLL,ELECTRIC,LARGE,HPJ	1	JD7775-A
2	AXLE,CHASSIS,STEEL,PLATED,3/4"ODX24"L	2	JD8010
3	BRAKE,WHEEL,STEEL,PAINTED,LARGE,CPW	1	JD7775-H
4	COLLAR,BRAKE,WHEEL,STEEL,PLATED,HPJ	2	JD7775-I
5	COLLAR,SCREW,SET,STEEL,PLATED,3/4"ID	4	JD7777
6	WHEEL,PNEUMATIC,10"ODX3/4"ID,BALLBEARING	4	JP2643-F
7	HANDLE,CONTAINER,SOLUTN,LARGE,HPJ ELCTRC	1	JD7775-M
8	HANDLE,ELECTRIC,ST,PAINTED,LARGE,HPJ	1	JD7775-E
9	BAR,CROSS,HANDLE,STEEL,PAINTED,ELTRC,HPJ	2	JD7775-N
10	PIN,LOCK,HANDLE,1/4X1.843LG,W/RING ST.PL	2	JD7775-J
11-A	MOTOR,7.5HP,230-460/60/3,1725RPM,TEFC,F2	1	JB3016
11-B	MOTOR,7.5HP,230/60/1,1725RPM,TEFC,F2,C-F	1	JB3015
11-C	MOTOR,7.5HP,575/60/3,1725RPM,TEFC,F2	1	JB3017
	OIL,PUMP,SYNTHETIC,HIGH-PERFORMANCE,1 PT		JD7999-B
12-A	CONNECTOR,RELIEF,STRAIN,5/8-3/4,3/4NPTM	3	JD1687-17
12-B	CONNECTOR,RELIEF,STRAIN,.700-.950,1NPTM	3	JD1687-19
13-A	WIRE,SO,CPE,BLACK,12/4	2'	JE 443
13-B	WIRE,SO,CPE,BLACK,8/3	2'	JE 485
13-C	WIRE,SO,CPE,BLACK,10/4	2'	JE 444
14	BRACKET,MOUNTING,SWITCH,ST,PNTD,HPJ ELCT	1	JD7775-O
15-A	STARTER,MANUAL,OP,3P,25A,K-M, 230/60/3	1	JD7573-K
15-B	STARTER,MANUAL,OP,3P,28-42A,ACI, 230/60/1	1	JD7591-E
15-C	STARTER,MANUAL,OP,3P,20A,K-M, 460/60/3	1	JD7573-J
15-D	STARTER,MANUAL,CL,3P,6-10AMP, ACI 575/60/3	1	JD7573-P
16ASSY SEE FIG 1-1	PUMP,PLUNGER,TRIPLEX,3000PSI,4.5GPM,CAT	1	JD7551
	OIL,PUMP,SYNTHETIC,HIGH-PERFORMANCE,1 PT	1	JD7999-B
	OIL,PUMP,SYNTHETIC,HIGH-PERFORMANCE,1 QT	1	JD7999-A
17	TUBING,PVC,CLEAR,3/8ODX1/4ID	4	JD3087
18	CLAMP,SLEEVE,PLASTIC,3/8ID	2	JD2759
19	SCREW,FLANGE,HEX,SERR,ST,PL,3/8-16X3/4	4	JD7906-A
20	NUT,LOCK,FLANGE,HEX,SERR,ST,PL,3/8-16	4	JD7774-F
21	SCREW,FLANGE,HEX,SERR,ST,PL,1/4-20X1/2	3	JD7904-A
22	SCREW,CAP,SOCK HEAD,SS,5/16-18X1-3/4	4	JD7907
23	WASHER,LOCK,SPLIT,STEEL,PLATED,5/16"	6	JD 612
24	WASHER,FLAT,STEEL,PLATED,#10	2	JD1539
25	SCREW,SLF DRL,HEX WASHER,PLTD,#10x5/8	2	JD7074-A
26	WASHER,STEEL,3/4ID,SAE	4	JP2036-03
27	SCREW,CAP,HEX HD,ST,PL,5/16-18X3/4"	2	JD 556
28	DECAL,CLEAR,MYLAR	1	JD6251-08
29	DECAL,NUMBER,MODEL,HPJ2545,BLUE	2	JD7837
30	DECAL,LOGO,JENNY,BLUE,SMALL	2	JD7291-B
31	SCREW,SLF TAP,HEX WASHER,PLTD,10-32X1/2	1	JD6219
32	DECAL,NOTICE,GROUND,4MILTHK,5YRWHT	1	JD2344-01
33	SOCKET,QUICK COUPLING,BRASS,1/4"NPTF	1	JD3102-02
34	SOCKET,QUICK COUPLING,BRASS,3/8"NPTF	1	JD3102-05
35	GUN,TRIGGER,3000PSI,8GPM,320F	1	JD6068-B
36	HOSE,WASH,PRESSURE,3000PSI,250F,3/8X50FT	1	JD7790-A
37	STRAP,RETAINING,VELCRO,CONTAINER,SOLUTION	1	JD7288
38	GROMMET,RUBBER,BLACK,7/16"ID.	5	JD3385-01
39	NOZZLE,SPRAY,PSI,SS,QCK CON,0 DEG,0#5.5	1	JD7755-03

40	NOZZLE,SPRAY,PSI,SS,QCK CON,15DEG,O#5.5	1	JD7756-03
41	NOZZLE,SPRAY,PSI,SS,QCK CON,25DEG,O#5.5	1	JD7757-03
42	NOZZLE,SPRAY,PSI,SS,QCK CON,40DEG,O#5.5	1	JD7758-03
43	NOZZLE,SPRAY,SOAP,BR,QCK CON,25DEG,O#40.	1	JD7759
44	DECAL,NAMEPLATE,OIL FIRED	1	JD6251-05
45	LANCE,INSULATED,STEEL,ZINC-PLATED,1/4X36	1	JP7080-O
46	STRAINER,CHEMICAL,BRASS,1/4"HOSEBARB	1	JD7140-A
47	BUSHING,PIPE,PLASTIC,1"NPTX3/4"NPT, 460-575V	1	JD7860



ITEM NO.	QTY.	DESCRIPTION	PART NO.
1	1	PUMP,PLUNGER,TRIPLEX,3000PSI,4.5GPM,CAT	JD7551
2	1	VALVE,RELIEF,2400-3000PSI,160F,3/8NPTM	JD7048-A
3	2	ELBOW,STREET,STEEL,PLATED,3/8NPT	JD3717-03
4	1	VALVE,RELIEF,THERMAL,145F,3/8"NPTM	JD6162-B
5	1	ELBOW,FEMALE,BRASS,FORGED,3 8NPT	JD3117
6	1	BARB,HOSE,MALE,BRASS,3/8HSX1/4NPT	JD7220
7	2	CLAMP,GEAR,WORM,SS,1/4 TO 5/8" DIA.	JD3068
8	2	TUBING,PVC,REINFORCED,3/8"ID	JD7575
9	1	STRAINER,WATER,IN-LINE,ALUMINUM,1/2"NPT	JD7782
10	1	PLUG,HEAD,SQUARE,BRASS,1/4NPT	JD 679-02
11	1	CONNECTOR,BR,3/4GARDEN HOSEX1 2NPTM,SWIV	JD7142
12	1	TUBING,PVC,CLEAR,3/8ODX1/4ID	JD3087
13	1	CLAMP,SLEEVE,PLASTIC,3/8ID	JD2759
14	1	PLUG,QUICK COUPLING,BRASS,3/8"NPTF	JD3103-05
15	1	INJECTOR,CHEMICAL,CAT#7194	JD7147-70
16	1	BARB,HOSE,ELBOW,MALE,BRASS,3/8HSX3/8NPT	JD7149
17	1	ELBOW,STREET,BRASS,FORGED,1/2NPT	JD 800-01

FIGURE 1-1 (PUMP, CAT, FITTINGS, HPJ2545-E, ASSY)