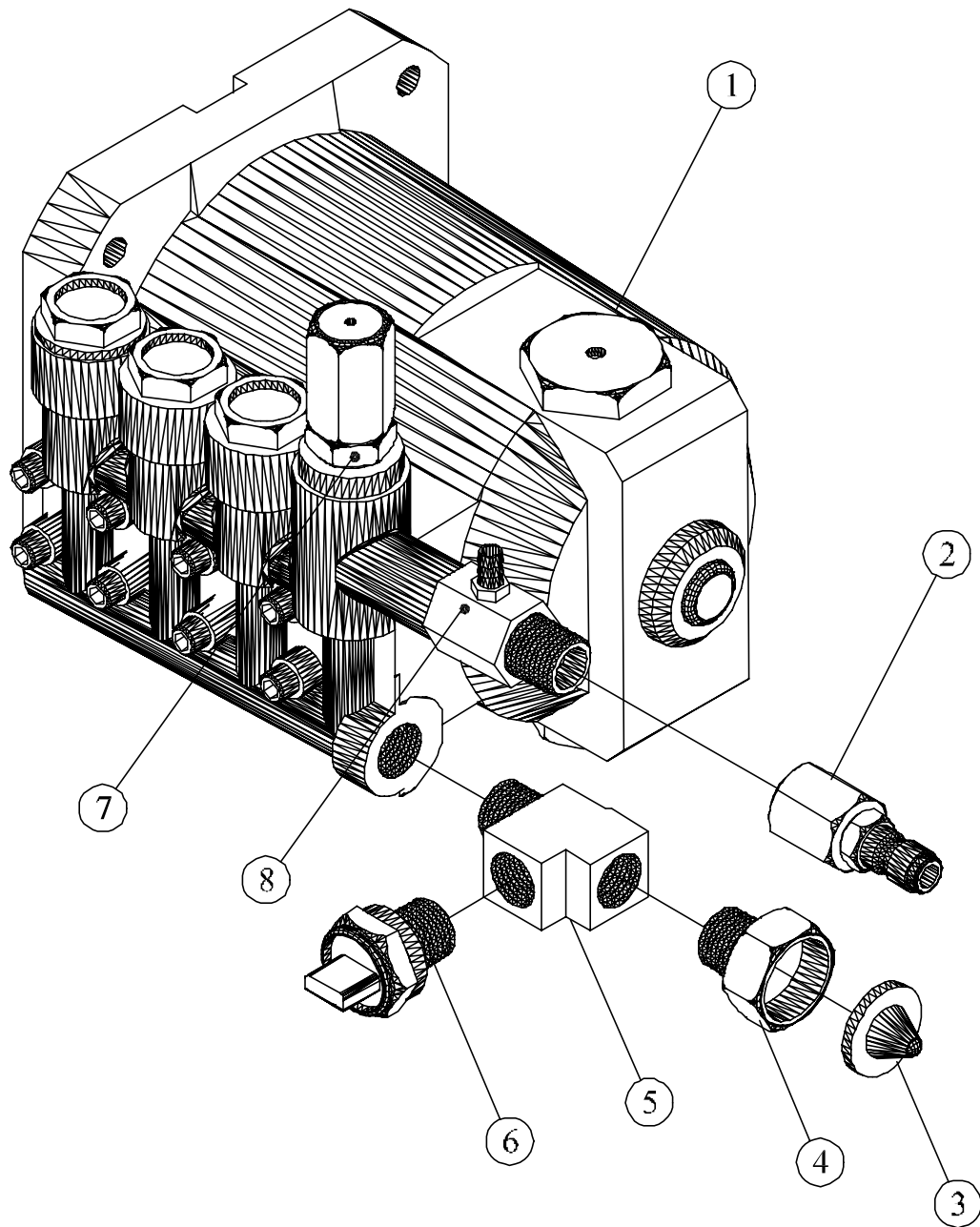


JENNY PRODUCTS INC.
 HPJ2030, MP, RS, N/C, CAT OR GEN PUMPS

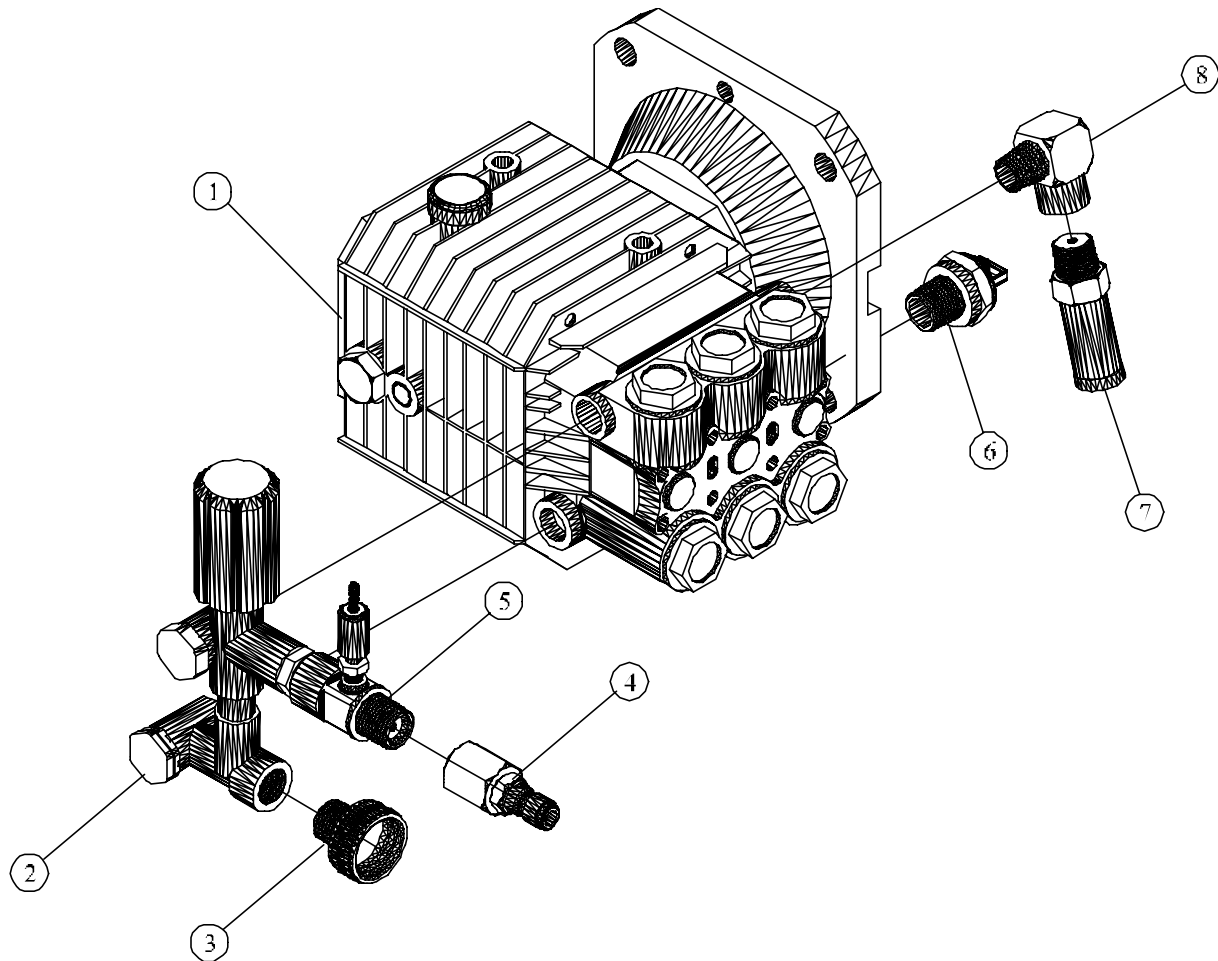
HPJ2030, MP, RS, N/C, GENERAL			
PARTS LIST			
ITEM NO.	DESCRIPTION	QTY.	PART NO.
1	FRAME,CAGE,ROLL,ENGINE,GAS,SMALL,CPW	1	JD7776
2	GRIP,RUBBER,HANDLE	2	JD3589
3	FEET,RUBBER,EJECTOR,PORTABLE	4	LF-PRF
4	HANDLE,FRAME,CAGE,ROLL,ST,PNTD,SMALL,CPW	1	JD7776-B
5	WHEEL,PNEUMATIC,8-1/2"ODx1/2"ID,BALLBRNG	2	JP2643-G
6	AXLE,FRAME,CAGE,ROLL,ST,PLTD,SMALL,CPW,M	1	JD7776-F
7	KNOB,PLASTIC,BLACK,1"ODX1/4-20ID	1	JD7776-D
8	COLLAR,SCREW,SET,STEEL,PLATED,1/2"ID	2	JD7777-A
9	WASHER,FLAT,STEEL,PLATED,5/16	4	JD 894
10	SCREW,CAP,HEX HD,ST,PL,5/16-18X1-1/2"	4	JD 546
11	CLAMP,SLEEVE,PLASTIC,3/8ID	2	JD2759
12	ENGINE,GASOLINE,KOHLER,6HP,R.S.	1	JD7704
13	GUN,TRIGGER,2200PSI,6GPM,212F	1	JD7154
14	HOSE,WASH,PRESSURE,3000PSI,250F,3/8X50FT	1	JD7790-A
15	DECAL,NAMEPLATE,OIL FIRED	1	JD6251-05
16	DECAL,CLEAR,MYLAR	1	JD6251-08
17	TUBING, CLEAR, PVC, 3/8OD X 1/4ID	4'	JD3087
18	DECAL,LOGO,JENNY,BLUE,SMALL	1	JD7291-B
19	SOCKET,QUICK COUPLING,BRASS,3/8"NPTF	1	JD3102-05
20	NOZZLE,SPRAY,PSI,SS,QCK CON,0 DEG,O#4.0	1	JD7755
21	NOZZLE,SPRAY,PSI,SS,QCK CON,15DEG,O#4.0	1	JD7756
22	NOZZLE,SPRAY,PSI,SS,QCK CON,25DEG,O#4.0	1	JD7757
23	NOZZLE,SPRAY,PSI,SS,QCK CON,40DEG,O#4.0	1	JD7758
24	NOZZLE,SPRAY,SOAP,BR,QCK CON,25DEG,O#40.	1	JD7759
25	GROMMET,RUBBER,BLACK,7/16" I.D.	5	JD3385-01
26	NUT,LOCK,FLANGE,HEX,SERR,ST,PL,5/16-18	4	JD7774-E
27	LANCE,INSULATED,STEEL,ZINC-PLATED,1/4X36	1	JP7080-O
28	STRAINER,CHEMICAL,BRASS,1/4"HOSEBARB	1	JD7140-A
29	SOCKET,QUICK COUPLING,BRASS,1/4"NPTF	1	JD3102-02
30-A ASSY SEE FIG 1-1A	PUMP,PLUNGER,TRIPLEX,2000PSI,3.0GPM,CAT	1	JD7806
30-B ASSY SEE FIG 1-1B	PUMP,PLUNGER,TRIPLEX,2000PSI,2.8GPM,GEN	1	JD7805
31	PUMP, MOUNTING, BOLTS RECEIVED W/PUMP	4	
32	PUMP, MOUNTING, WASHERS RECEIVED W/PUMP	4	
33	MOTOR, SHAFT, KEY, RECEIVED W/PUMP	1	
	OIL,PUMP,SYNTHETIC,HIGH-PERFORMANCE,1 PT	1	JD7999-B
	OIL,PUMP,SYNTHETIC,HIGH-PERFORMANCE,1 QT	1	JD7999-A
NOT SHOWN	DECAL,PACKED,GROOMED,TESTED	1	JD6013
NOT SHOWN	DECAL,MADE-IN-THE-USA,JENNY	1	JD6211
NOT SHOWN	DECAL,DANGER,HIGH PRESSURE	1	JP7107-01
NOT SHOWN	DECAL,NUMBER,MODEL,HPJ2030,BLUE	1	JD7836

HPJ2030 MP



ITEM NO.	QTY.	DESCRIPTION	PART NO.
1	1	PUMP,PLUNGER,TRIPLEX,2000PSI,3.0GPM,CAT	JD7806
2	1	PLUG,QUICK COUPLING,BRASS,3/8"NPTF	JD3103-05
3	1	WASHER,STRAINER,MESH,WIRE,BRASS,#30	JD 809
4	1	GARDEN, HOSE, FITTING, 3/8 W/3/8 SWIVEL NUT SUPPLIED W/PUMP	
5	1	TEE,STREET,BRASS,3/8NPT	JD7872
6	1	VALVE,RELIEF,THERMAL,145F,3/8"NPTM	JD6162-B
7	1	NUT,LOCK,M18X1,CAT#31047	JD7147-47
8	1	INJECTOR, FIXED, W/PUMP REPLACEMENT	JD7809-C

FIGURE 1-1A (Pump,CAT., JD7806, Mounting, Fitting, HPJ2030 MP, Assy)



ITEM NO.	QTY.	DESCRIPTION	PART NO.
1	1	PUMP, PLUNGER, TRIPLEX, 2000PSI, 2.8GPM, GEN	JD7805
2	1	VALVE, UNLOADER, W/INJECTOR, PUMP-MOUNT, GEN	JD7805-A
3	1	CONNECTOR, BRASS, 3/4 GARDEN HOSE X 3/8 NPTM	JD7148
4	1	PLUG, QUICK COUPLING, BRASS, 3/8" NPTF	JD3103-05
5	1	INJECTOR, CHEMICAL, 2.1mm, RECEIVED W/PUMP	JD7147-77
6	2	VALVE, RELIEF, THERMAL, 145F, 3/8" NPTM	JD6162-B
7	4	VALVE, RELIEF, 1200-2400PSI, 160F, 1/4 NPTM	JD7048-F
8	4	ELBOW, STREET, STEEL, PLATED, 1/4 NPT	JD 670-01

FIGURE 1-1B (Pump, Gen., JD7805, Mounting, Fitting, HPJ2030 MP, Assy)