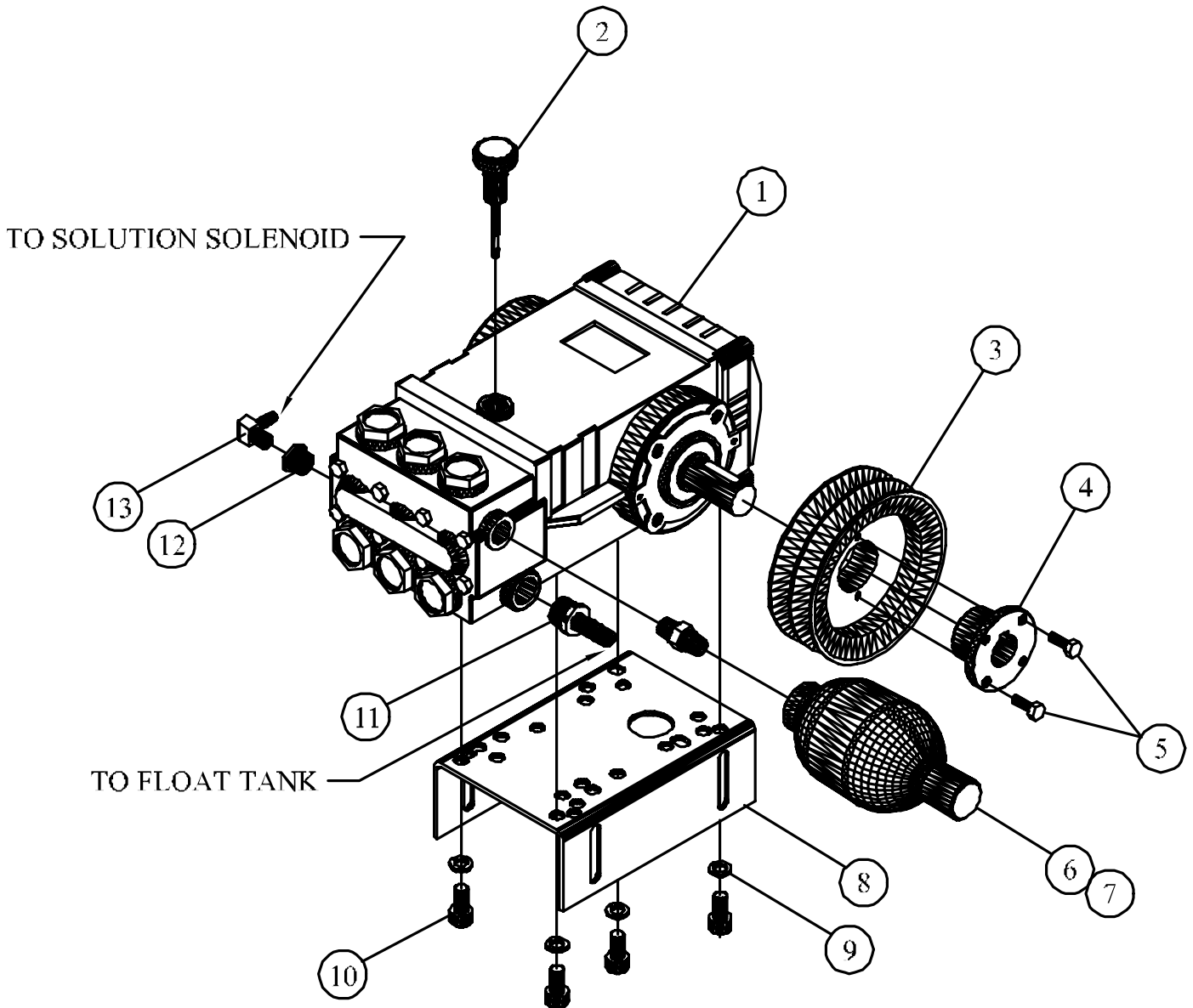


JENNY PRODUCTS INC.
 E3000-C, AEP, 380-415/50/3, 460-575/60/3PH, N/C, V/C, LWC

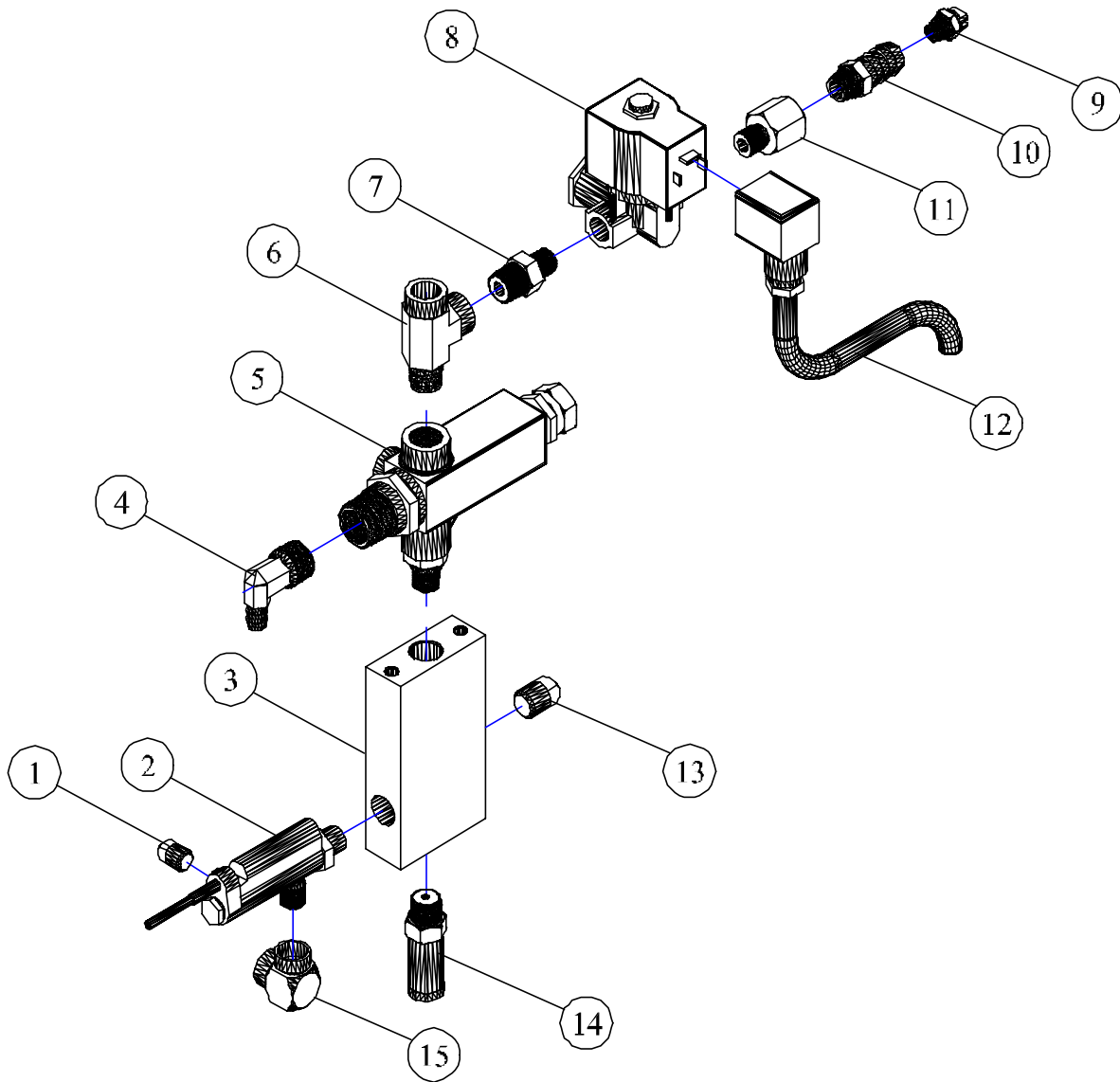
E3000-C, AEP, N/C, T/C, LWC			
460/60/3PH			
PARTS LIST			
Notes: Figure 20- (common Parts)			
Electrical Dia. Files Jw 200			
ITEM NO.	DESCRIPTION	QTY.	PART NO.
1	CHASSIS, AEP, ASSY, E1000-C, E2000-C, E3000-C	1	JP7712
2	TANK, SOLUTION, STEEL, PAINTED, 6GAL, ASSY	1	JP7725
3	PANEL, COVER, REAR, STEEL, PAINTED, AEP	1	JP7729
4	WHEEL, PNEUMATIC, 10" ODX3/4"ID, BALL BEARING	2	JP2643-F
5	COLLAR, SCREW, SET, STEEL, PLATED, 3/4"ID	2	JD7777
6	CASTER, SWIVEL, W/BRAKE, 5"DIA X 2"FACE	1	JD3217-01
7	CASTER, SWIVEL, W/OBRAKE, 5"DIA X 2"FACE	1	JD3217-02
8	SCREW, FLANGE, HEX, SERR, ST, PL, 3/8-16X3/4	4	JD7906-A
9	AXLE, CHASSIS, STEEL, PLATED, 3/4"ODX24"O/L	1	JD8010
10ASSY-A	BOX, JUNCTION, ASSY, E-3000-C, 460/60/3	1	JP7727
10ASSY-B	BOX, JUNCTION, ASSY, E-3000-C, 575/60/3	1	JP7727-A
11-A	MOTOR, 7.5HP, 230-460/60/3, 1725RPM, TEFC, F2	1	JB3016
11-B	MOTOR, 7.5HP, 575/60/3, 1725RPM, TEFC, F2	1	JB3017
12ASSY	PUMP, MOUNTING & FTGS, ASSY, E3000-C, AEP, GEN	1	JP7718-C
13ASSY	MANIFOLD, FITTINGS, VALVE, E-3000-C, ASSY	1	JP7716-C
14ASSY	TANK, FLOAT, ASSY, W/FTNGS, AEP	1	JP7717
15ASSY	SWITCH, PRESSURE, WBRACKET, ASSY, AEP	1	JP7731
16ASSY	WATER, INLET, AEP, E2000-C ASSY	1	
17ASSY	CROSS, FEMALE, STEEL, PLATED, WBRACKET, ASSY	1	JP7732-A
18	NUT, LOCK, CONDUIT, STEEL, PLATED, 1/2"	1	JP 809
19ASSY-A	PANEL, COIL, ELECTRIC, ASSY, 460V, E3000-C	1	JP7714
19ASSY-B	PANEL, COIL, ELECTRIC, 550V, ASSY, E3000, N/S	1	JP7714-D
20	VALVE, SOLENOID, SOLUTION, 24V, 1/4NPT	1	JD2162-F
21	CONNECTOR, RELIEF, STRAIN, 1/4-3/8, 1/2NPTM	1	JD1687-06
22ASSY	COIL, TERMINAL, AEP, E2000-C ASSY		
23	HOSE, HYD, 3K.PSI, 21"L, 3/8NPTM, 90D-3/8NPTM	1	JD7890
24	HOSE, HYD, 3K.PSI, 23"L, 3/8NPTM, 90D-3/8NPTM	1	JD7542
25	HOSE, RUBBER, GARDEN, 5/8	0.883'	JL 146
26	HOSE, SOLVENT, NEOPRENE, 1/2"ID	1.5'	JD 946
27	TUBING, PVC, REINFORCED, 3/8"ID	1.083'	JD7575
28	TUBING, PVC, CLEAR, 3/8ODX1/4ID	7	JD3087
29	CLAMP, SLEEVE, PLASTIC, 3/8ID	6	JD2759
30	CLAMP, GEAR, WORM, SS, 7/16 TO 25/32" DIA	2	JD3068
31	CLAMP, HOSE, GEAR, WORM, SS, 9/16TO1-1/16DIA	6	JD1229-A
32	SCREW, SLF DRL, HEX WASHER, PLTD, #10x5/8	7	JD7074-A
33	SCREW, SLF DRL, PHILLIP, ST, PLTD, #8X1/2	4	JD6050
34	SCREW, CAP, HEX HD, ST, PL, 3/8-16X3"	4	JD7289
35	SCREW, FLANGE, HEX, SERR, ST, PL, 5/16-18X1/2	2	JD7905
36	NUT, LOCK, FLANGE, HEX, SERR, ST, PL, 5/16-18	4	JD7774-E
37	SCREW, FLANGE, HEX, SERR, ST, PL, 5/16-18X3/4	4	JD7905-B
38	SCREW, FLANGE, HEX, SERR, ST, PL, 1/4-20X1"	2	JD7904-D
39	SCREW, FLANGE, HEX, SERR, ST, PL, 1/4-20X3/4	5	JD7904-C
40	SCREW, FLANGE, HEX, SERR, ST, PL, 1/4-20X1/2	9	JD7904-A

41	SCREW, CARRIAGE, GR5, ST, PL, 3/8X6	2	JD7798
42	SCREW, CAP, HEX HD, ST, PL, FLT, 3/8-16X2-1/4"	2	JD7035
43	NUT, LOCK, FLANGE, HEX, SERR, ST, PL, 3/8-16	6	JD7774-F
44	NUT, LOCK, FLANGE, HEX, SERR, ST, PL, 1/4-20	9	JD7774-D
45	TEE, BARB, PLASTIC, 3/8X5/8X5/8	1	JD7823
46	CLAMP, HOSE, NYLON, BLACK, .750/.875DIA	2	JD7859-F
47	ELBOW, FEMALE, STEEL, PLATED, 3/8"NPT	1	JD 691
48	BELT, VEE, COG, BX40	2	JD3959-10
49	VALVE, NEEDLE, SOLUTION, BRASS, 1/4IDHS-BARB	1	JD6248-A
50	RECEPTICAL, CLIP-ON, STEEL, DACROTIZED	12	JP7733-01
51	CLAMP, HOSE, NYLON, BLACK, .406/.468DIA	2	JD7859-A
52	PANEL, FRONT, AEP	1	JP7715
53	SCREW, PHILLIPS, HEAD, "N", COVER	6	JP7733
54	RETAINER, SCREW, PHILLIPS, HEAD, "N"	6	JP7733-02
55	LUG, TERMINAL, COPPER, 3/16BOLT, 6-14GAUGE	1	JD6152
56	COVER, TERMINAL, ST, CASING, COIL, E-X000-C	1	JP7721
57	COVER, SS, ASSY, OEP, NEW, JB, MACH	1	JD8248
58	NOZZLE, SPRAY, PSI, SS, QCK CON, 0 DEG, O#4.5	1	JD7755-01
59	NOZZLE, SPRAY, PSI, SS, QCK CON, 15DEG, O#4.5	1	JD7756-01
60	NOZZLE, SPRAY, PSI, SS, QCK CON, 25DEG, O#4.5	1	JD7757-01
61	NOZZLE, SPRAY, PSI, SS, QCK CON, 40DEG, O#4.5	1	JD7758-01
62	BUSHING, PIPE, PLASTIC, 1" NPTX3/4"NPT	1	JD7860
63	PLATE, NAME, ALUM, PRINT, BLACK, 4X4	1	JD3456
64	DECAL, INDICATOR, HANDLE, VALVE, SOLUTION	1	JD7143
65	DECAL, SOLUTION, MEIERING, VALVE	1	JD7821
66	DECAL, NUMBER, MODEL, E-3000-C, BLUE	2	JD7765-05
67	DECAL, DANGER, WARNING, CAUTION, LARGE	1	JD7239
68	GUN, SCH80, N/C, W/O, SWIVEL, ASSY, 3/8", COMB	1	JP4261-H
69	HOSE, COMBINATION, JENNY, 3/8X50'	1	JD7624
70	MOLDING, RUBBER, FOAM, ADHESIVE, 1/2WX1/8T	1	JD3782-B
71	COVER, BOX, JUNCTION, ST, PAINTED	1	JP7713-01
72	SCREW, MACHINE, PHILLIP, ST, PL, 10-32X3/4	8	JD 593
73	SCREEN, COVER, MACHINE, ST, PAINTED	8	JP7720-01
74	RIVET, AL, .160-.164HOLE, .063-.125GRP, 5/32	8	JP7720-02
75	WASHER, FLAT, SS, 7/8ODX5/32IDX20GAUGE	8	JP7720-03
76	WIRE, SO, CPE, BLACK, 14/4	1	JE 442
77	ELBOW, RELIEF, STRAIN, 1/2-5/8, 3/4NPTM	1	JD1687-15
78	PULLEY, CI, DG, TH, 2BK47H, 3.7PDA, 4.1PDB	1	JD3904-05
79	BUSHING, PULLEY, TAPERED, 1-1/8"BORE	1	JD3915-04
80	CAP, FILLER, FUEL, STEEL, PLATED, 1/4 TURN	1	JD3174
81	PLUG, HEAD, SOCKET, HEX, STEEL, PLATED, 3/4"NP	1	JD 877
82	BARB, HOSE, MALE, BRASS, 1/4HSX1/4NPT	1	JD2765
83	NOZZLE, STEAM, 3/4HEX, STEEL, PLATED, TAPPED	1	JP3308-B
84	NUT, HEX, STEEL, PLATED, 3/8-16	4	JD 846
85	WASHER, LOCK, SPLIT, STEEL, PLATED, 3/8"	4	JD 613
86	WASHER, FLAT, STEEL, PLATED, 3/8	8	JD 873



ITEM NO.	QTY.	DESCRIPTION	PART NO.
1	1	PUMP, PLUNGER, TRIPLEX, 3000PSI, 4.0GPMGPM, GEN	JD7869
2	1	OIL, DIP, STICK, (RECEIVED W/PUMP)	
3	1	PULLEY, CI, DG, TH, 2BK57H, 4.7PDA, 5.1PDB	JD3904-61
4	1	BUSHING, PULLEY, TAPERED, 24MM BORE	JD3915
5	1	H.H.B. 1/4-20 UNC-3/4 CLASS 5 RECEIVED W/BUSHING	
6	1	NIPPLE, HEX, STEEL, PLATED, 3/8NPTX3/8NPT	JD3716-01
7	1	ACCUMULATOR, BLADDER, 3000#WP, 1500# CHARGE	JD7646-J
8	1	PLATE, MOUNTING, PUMP, STEEL, PAINTED, JB	JD8016
9	4	WASHER, LOCK, SPLIT, STEEL, PLATED, 3/8"	JD 613
10	4	SCREW, CAP, HD, ST, PLTD, M10 X 18	
11	1	BARB, HOSE, MALE, BRASS, 1/2HSX1/2NPT	JD7077-A
12	1	BUSHING, REDUCER, HEX, BRASS, 1/2X1/4	JD 822-01
13	1	BARB, HOSE, ELBOW, MALE, BRASS, 1/4HSX1/4NPT	JD7078

FIGURE 1-1 (Pump, Mounting & Fitting, JP7718-C, AEP E3000-C, Assy)



ITEM NO.	QTY.	DESCRIPTION	PART NO.
1	1	PLUG,HEAD,SQUARE,BRASS,1/4NPT	JD 679-02
2	1	SWITCH,FLOW,SP,ST,NO,20VA,3/8NPTM	JD7279
3	1	MANIFOLD,FITTINGS,STEEL,PLATED,ALL UNITS	JP7716
4	1	BARB,HOSE,ELBOW,MALE,BRASS,3/8HSX1/2NPT	JD7150-01
5	1	VALVE,UNLOAD,FLW ACT,3-4000PSI,3.5-4.8	JD3324-V
6	1	TEE,STREET,STEEL,PLATED,3/8"NPT	JD 860-02
7	1	NIPPLE,HEX,STEEL,PLATED,1/4NPTMX3/8NPTM	JD 732-03
8	1	VALVE,SOLENOID,BYPASS,24V,1/4NPT	JD3063-E
9	1	NOZZLE,SPRAY,PSI WASH,SS,1/4MEG-2508	JD3534
10	1	BARB,HOSE,MALE,BRASS,TAPPED1/4,5/8HSX3/8	JP6898
11	1	ADAPTER,EXPANDING,STEEL,PLATED,1/4MX3/8F	JD6224
12	1	CONNECTOR,SOLENOID,RELIEF,STRAIN,DIN	JD7703
13	1	PLUG,HEAD,SQUARE,BRASS,3/8NPT	JD3554
14	1	VALVE,RELIEF,2400-3000PSI,160F,3/8NPTM	JD7048-A
15	1	ELBOW,FEMALE,STEEL,PLATED,3/8"NPT	JD 691

FIGURE 1-2 (Manifold, Valve, Fitting, JP7716-C, E3000-C, Ass'y)

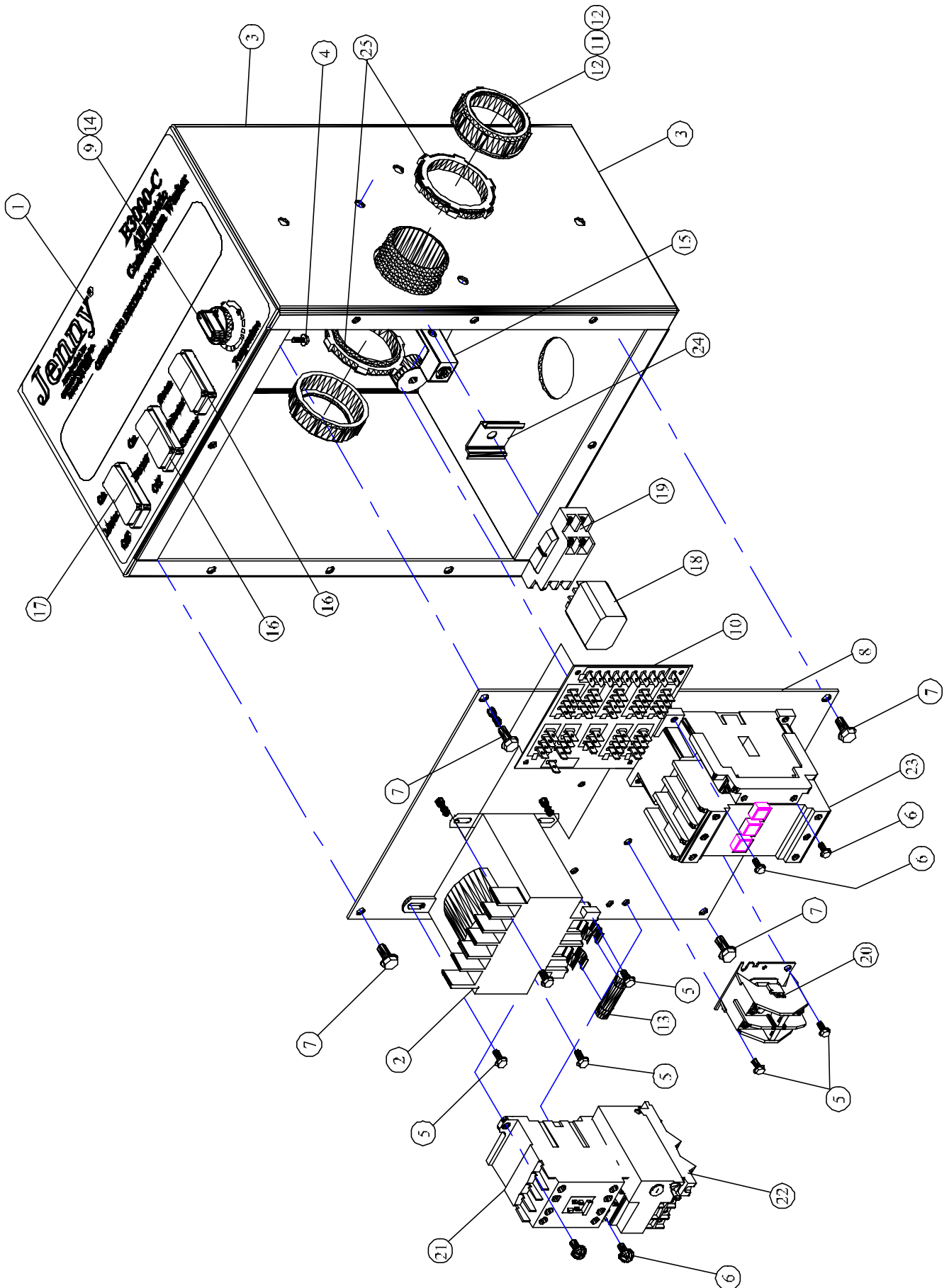
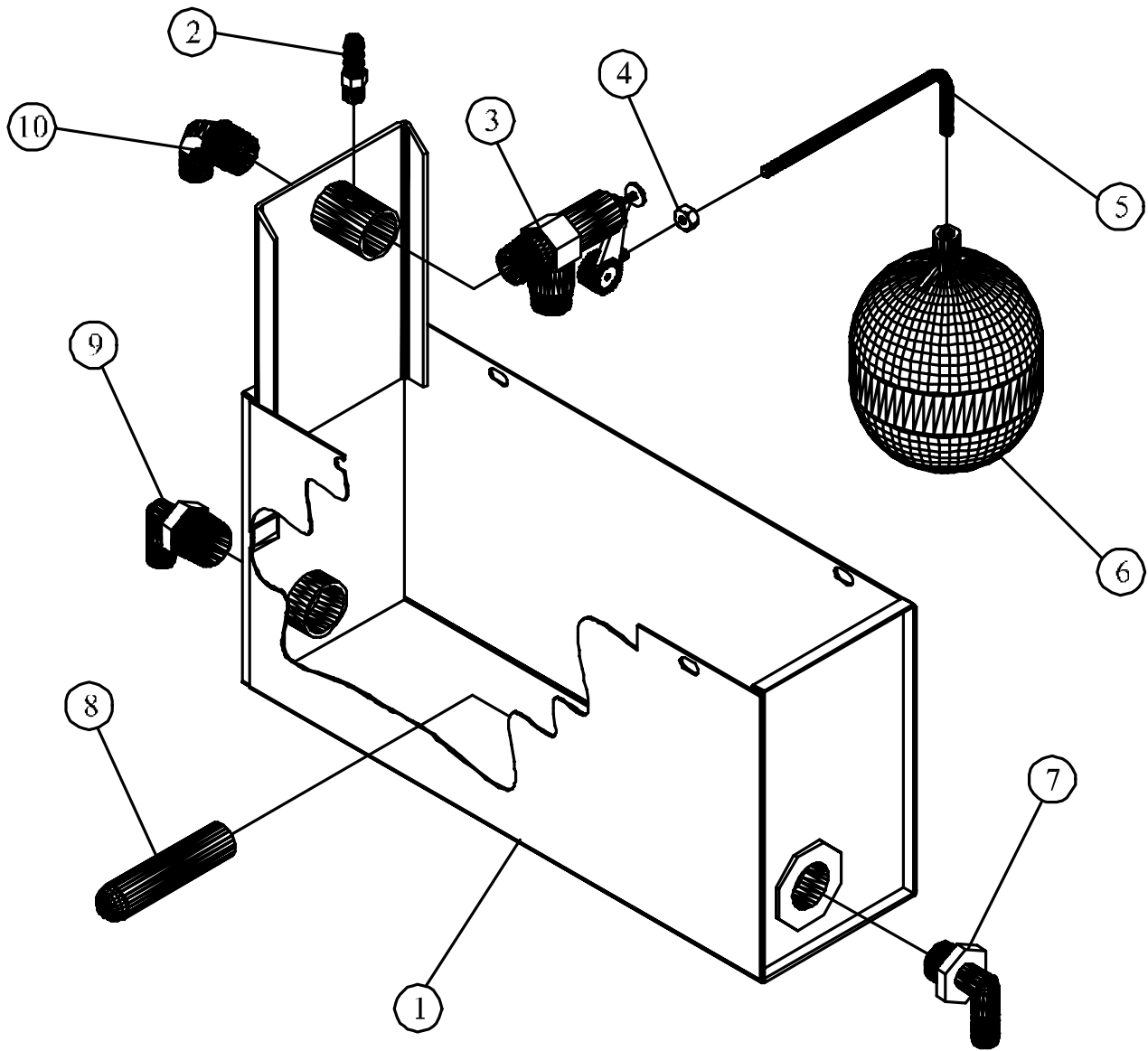


FIGURE 1-3 (BOX, JUNCTION, PANEL, AEP, E3000-C 415/50/3PH & 460-575/60/3PH, JP7727, ASSY)

ITEM NO.	DESCRIPTION	QTY.	PART NO.
1	DECAL, PANEL, INSTRUCTION, E-3000-C	1	JD7765-02
2-A	TRNSFRMR, CTRL, OPN, 100VA, 120-460VP, 24VS, 230-460V	1	JD2868
2-B	TRNSFRMR, CTRL, OPN, 100VA, 600VP, 24VS	1	JD3987-13
2-C	TRNSFRMR, CTRL, OPN, 100VA, 415P, 24VS	1	JD3987-14
3	BOX, JUNCTION, STEEL, PAINTED, ALL-ELECTRIC	1	JP7713
4	SCREW, MACHINE, PHILLIP, ST, PL, 6-32X1/4	2	JD6206
5	SCREW, FLANGE, HEX, SERR, ST, PL, 8-32x3/8	6	JD7901-B
6	SCREW, FLANGE, HEX, SERR, ST, PL, 8-32x5/8	4	JD7901-D
7	SCREW, FLANGE, HEX, SERR, ST, PL, 1/4-20X3/8	4	JD7904
8	PLATE, MOUNTING, JUNCTION, BOX, E-X000-C	1	JP7713-02
9	KNOB, RUBBER, BLACK, CONTROL, TEMPERATURE	1	JD7799
10	BOARD, CIRCUIT, PRINTED, ALL MACHINES	1	JB5000
11	NIPPLE, CLOSE, STEEL, SCH40, 1-1/2"NPT	1	JD1243
12	BUSHING, CONDUIT, INSULATED, PLASTIC, 1-1/2	2	JD7605-01
13	FUSE, ELEMENT, DUAL, DELAY, TIME, 250V, 6AMP	1	JD3107-11
14	CONTROL, LIMIT, TEMPERATURE, AUTOMATIC	1	JD3701-B
15	LUG, TERMINAL, COPPER, 1/4BOLT, 1/0-6GAUGE	1	JP1706
16	SWITCH, ROCKER, SP, ST, 10A, 24V, LED LIGHTS	2	JE1004
17	SWITCH, ROCKER, DP, DT, OFF-ON-MOM, 10A, 24V	1	JE1006
18	RELAY, DP, DT, 24VAC	1	JD7819
19	BASE, RELAY, DP	1	JD7819-A
20	CONTACTOR, DP, OP, 2P, 30A, 24V	1	JP3530-D
21-A	CONTACTOR, DP, OP, 3P, 30A, 24V, W/AUX CONTACT, 380V (TO 5/1/01)	1	JD7651-B
21-B	STARTER, DP, OP, 3P, 50A, 24V, CA7-SERIES (FROM 5/1/01)	1	JD7651-V
22-A	RELAY, OVERLOAD, THERMAL, PLUG-IN, 10-14AMPS (TO 5/1/01)	1	JD7651-12
22-B	RELAY, OVERLOAD, THERMAL, PLUG IN, 7.5-11AMP (TO 5/1/01)	1	JD7651-11
22-C	RELAY, OVERLOAD, THERMAL, PLUG-IN, 10-16A (FROM 5/1/01)	1	JD7651-34
22-D	RELAY, OVERLOAD, THERMAL, PLUG-IN, 6-10A (FROM 5/1/01)	1	JD7651-33
23	CONTACTOR, DP, OP, 3P, 90A, 24V	1	JD 7803
24	RAIL, DIN, STL, PLTD, TAIL, DOVE, 1 3/8X5/16	.208'	JD7768-A
25	NUT, LOCK, CONDUIT, STEEL, PLTD, W/SEAL, 1-1/2	2	JD3849-01



ITEM NO.	QTY.	DESCRIPTION	PART NO.
1	1	TANK, FLOAT, BOLT-ON, JB	JD8015
2	1	BARB, HOSE, MALE, BRASS, 1/4 HS X 1/8 NPT	JD6132
3	1	VALVE, FLOAT, BRASS, 60PSI, 1/2"NPTM	JD2988-B
4	1	NUT, HEX, STEEL, PLATED, 1/4-20	JD 791
5	1	ROD, FLOAT, BENT, BRASS, 1/4 X 5-5/8 LG X 1/4-20	JD1416-02
6	1	BALL, FLOAT, PLASTIC, BLACK	JD1416-01
7	1	ELBOW, BARB, HOSE, MALE, PLASTIC, 1/2HS X 3/4NPT	JD7058
8	1	STRAINER, WATER, SS, 30MESH, 47/64 OD X 3-1/8 LG	JD3843--B
9	1	ELBOW, BARB, HOSE, MALE, PLASTIC, 5/8HS X 3/4NPT	JD3663
10	1	BARB, HOSE, ELBOW, BRASS, 5/8HS X 1/2NPT	JD7150-02

FIGURE 1-4 (Tank, Float, Fitting, AEP E3000-C, JP7717 Ass'y)

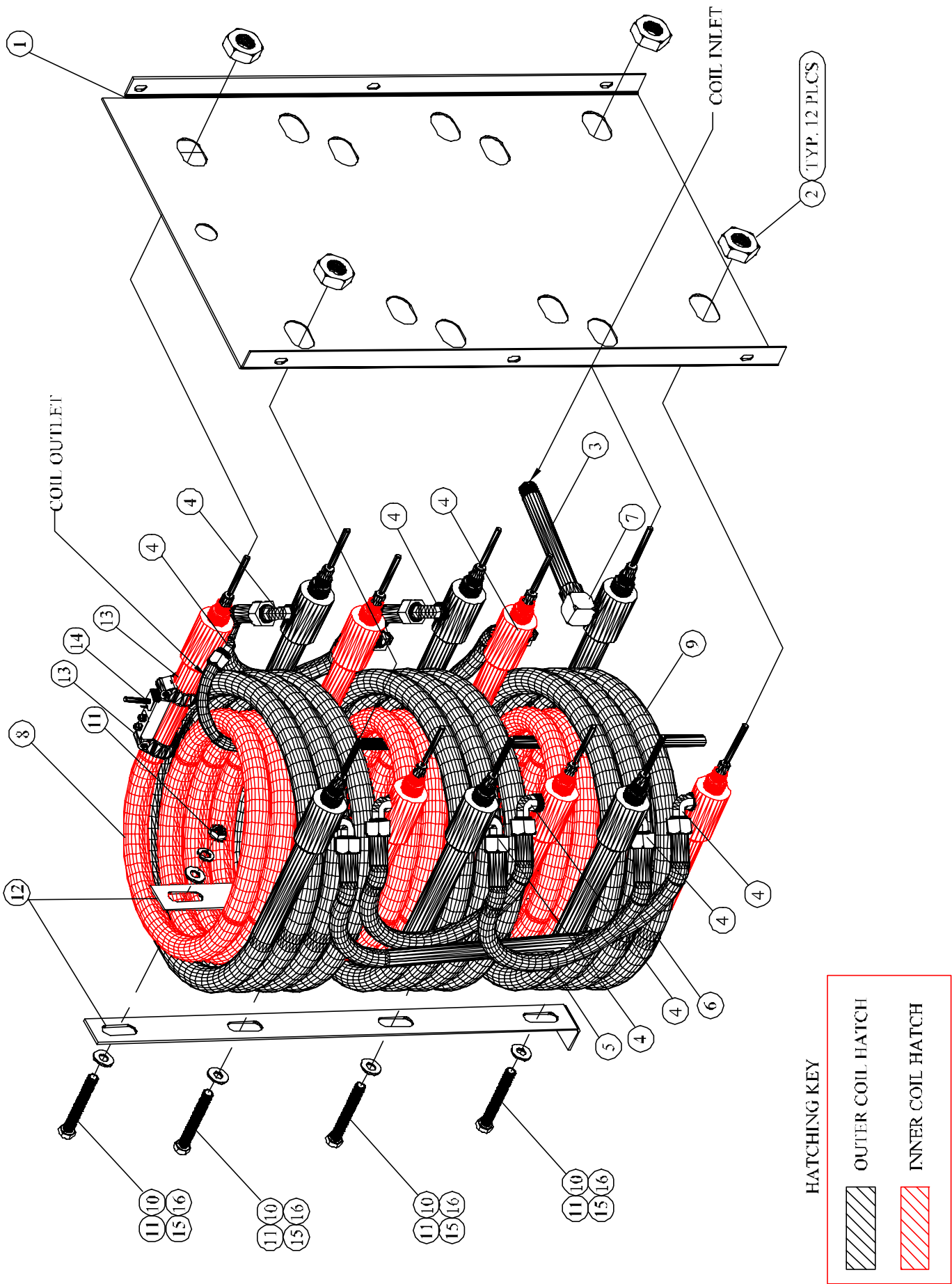
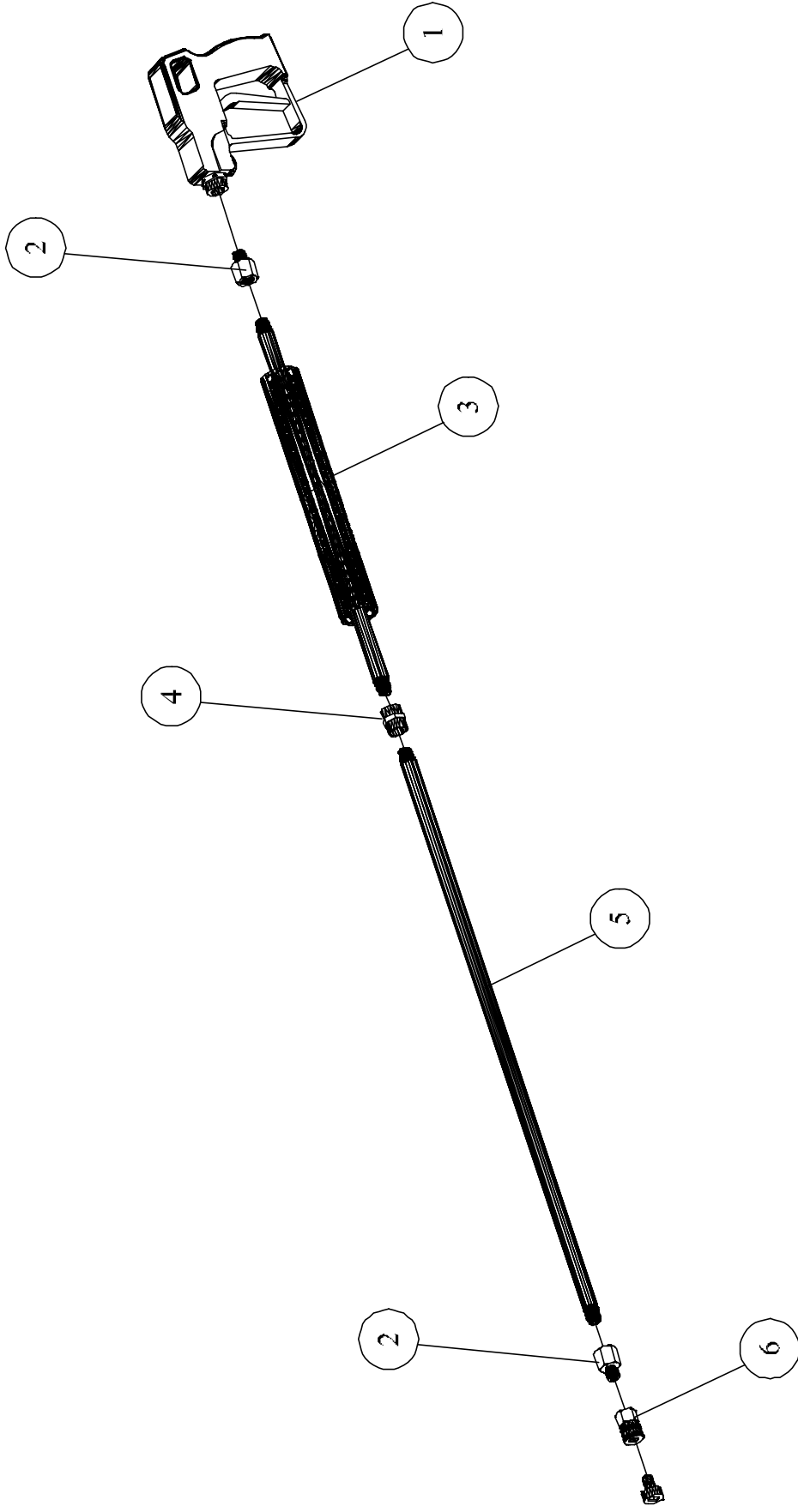


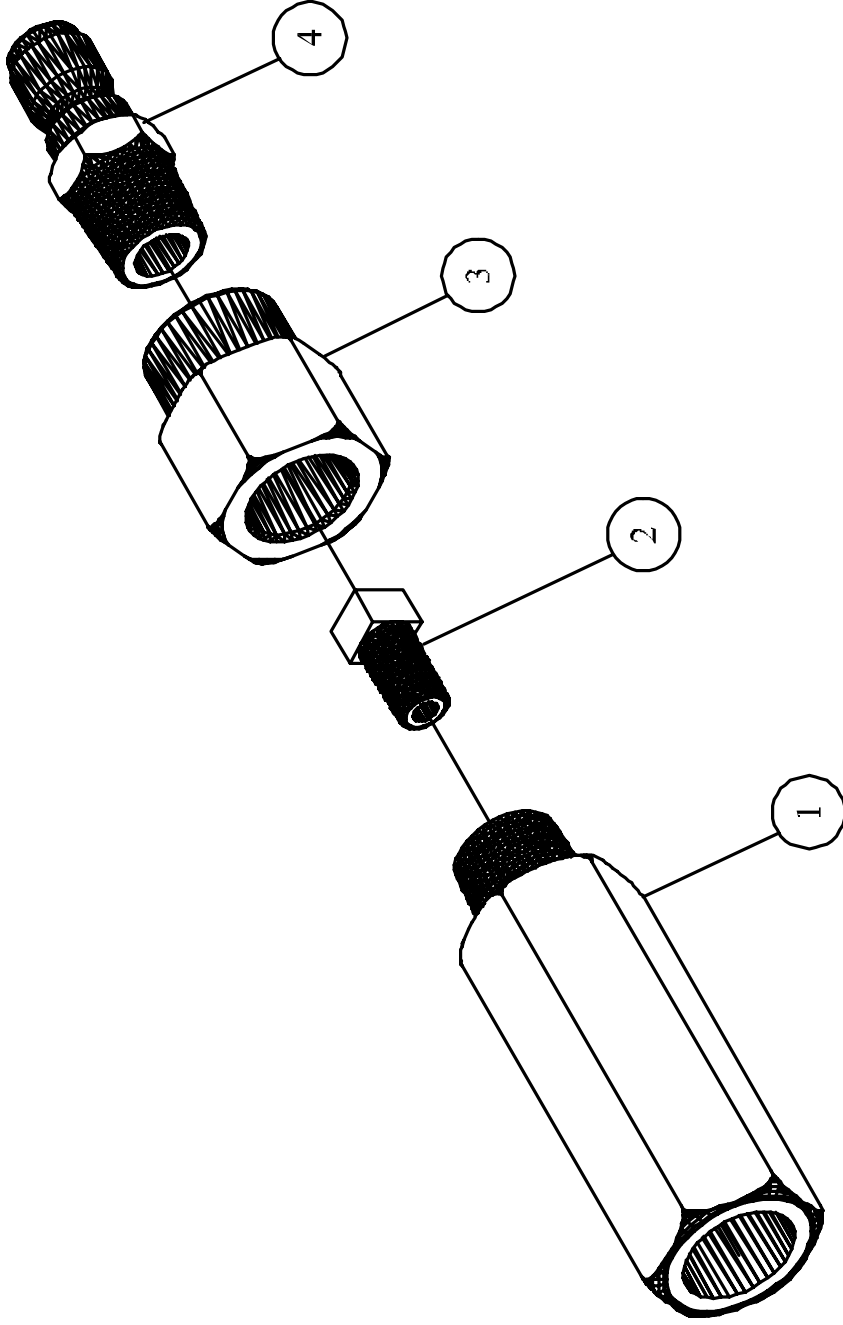
FIGURE 1-5 (PANEL, COIL, ELECTRICAL, 415-460-575V ASSY, AEP E3000-C)

ITEM NO.	DESCRIPTION	QTY.	PART NO.
1	PANEL, COIL, ELECTRIC, STEEL, PAINTED, E3000	1	JP7714-08
2	NUT, HEX, JAM, STEEL, PLATED, 7/8-14	12	JD 802
3	NIPPLE, STEEL, SCH80, 3/8NPTX6LONG ON MAIN BOM	1	JD 919
4	ELBOW, MALE, S.S., FLARELESS, 3/8"OD SS TUBE	11	JD 684-01
5	TUBING, SS, ANNEALED, SEAMLESS, 3/8ODX.035WA	4	JD1930-17
6	TUBING, SS, ANNEALED, SEAMLESS, 3/8ODX.035WA	1	JD1930-29
7	ELBOW, STREET, STEEL, PLATED, 3/8NPT	1	JD3717-03
8-A	COIL, ELECTRIC, E3000-C, 460V, INNER	3	JP7714-01
8-B	COIL, ELECTRIC, E3000-C, 575V, INNER	3	JP7714-03
8-C	COIL,ELECTRIC,E3000-C,415V,INNER,10K W	3	JP7714-09
9-A	COIL, ELECTRIC, E3000-C, 460V, OUTER	3	JP7714-02
9-B	COIL, ELECTRIC, E3000-C, 575V, OUTER	3	JP7714-04
9-C	COIL,ELECTRIC,E3000-C,415V,OUTER,10KW	3	JP7714-10
10	SCREW, CAP, HEX HD, ST, PL, 3/8-16 X 3"	4	JD7289
11	NUT, HEX, STEEL, PLATED, 3/8-16	4	JD 846
12	BRACE, COIL, ELECTRIC, ST, PAINTED	2	JP6743
13	CLAMP, HOSE, GEAR, WORM, SS, 11/16TO1-1/4 DIA	2	JD1229
14	THERMOSTAT, MOUNT, SURFACE, 0-345 DEGREE F	1	JP3339
15	WASHER, LOCK, SPLIT, STEEL, PLATED, 3/8"	4	JD 613
16	WASHER, FLAT, STEEL, PLATED, 3/8"	8	JD 873



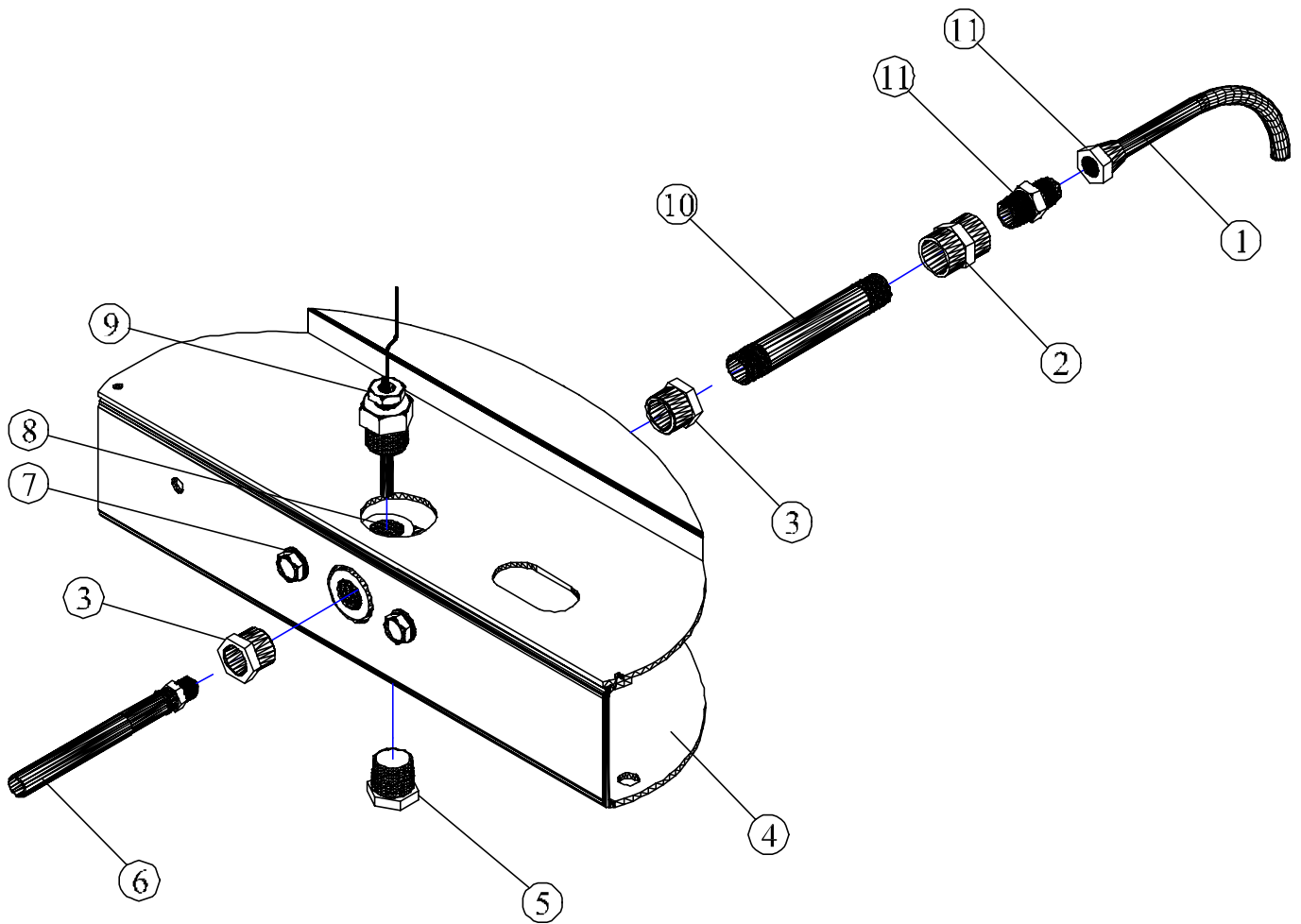
ITEM NO.	QTY.	DESCRIPTION	PART NO.
1	1	GUN, TRIGGER, 3000PSI, 8GPM, 320F	JD6068-B
2	2	ADAPTER, EXPANDING, STEEL, PLATED, 1.4M X 3/8F	JD6224
3	1	HANDLE, PERFORATED, SCH80, STEEL, ASSY, 3/8	JE 280-E
4	1	COUPLING, HEX, STEEL, PLATED, 3/8NPT X 3/8NPT	JD 907-04
5	1	NIPPLE, STEEL, SCH80, 3/8NPT X 28 LONG	JD 963
6	1	SOCKET, QUICK, COUPLING, BRASS, 1/4M X 3/8F	JD3102-02

FIGURE 1-6 (GUN, SCH80, N/C, W/O, SWIVEL, ASSY, 3/8", JP4261-H)



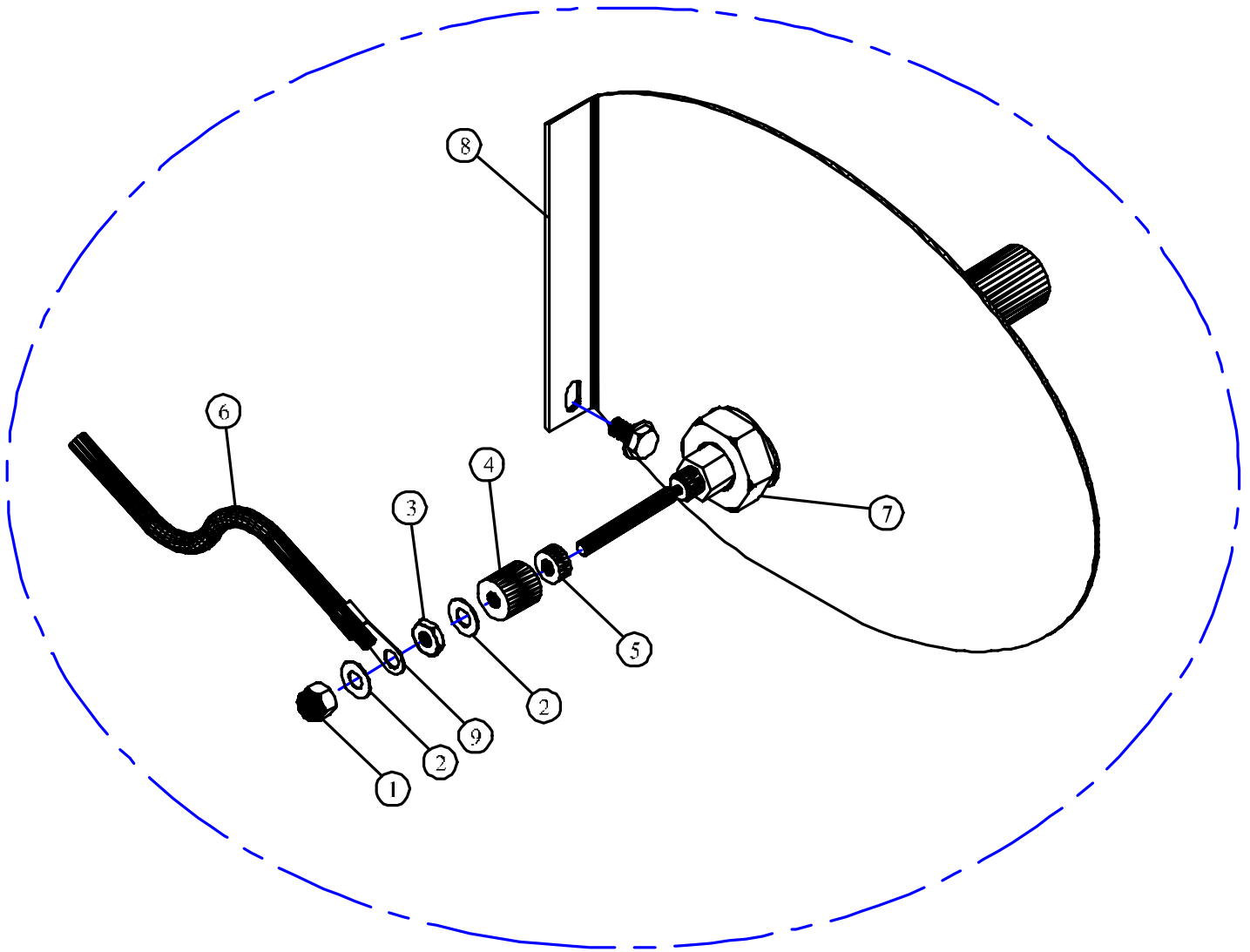
ITEM NO.	QTY.	DESCRIPTION	PART NO.
1	1	NOZZLE, STEAM, 3/4 HEX, STEEL, PLATED, 3/8 X 3/8	JP3308-B
2	2	ORIFICE, STEAM, SS, #46	JP3175-09
3	1	COUPLING, HEX, BRASS, 3/8NPTFX 1/4NPTF	JD 920-01
4	1	PLUG QUICK, COUPLING, BRASS, 1/4" NPTM	JD3103-04

FIGURE 1-7 (NOZZLE, STEAM, COMBINATION, FITTING, E3000-C, AEP, ASSY)



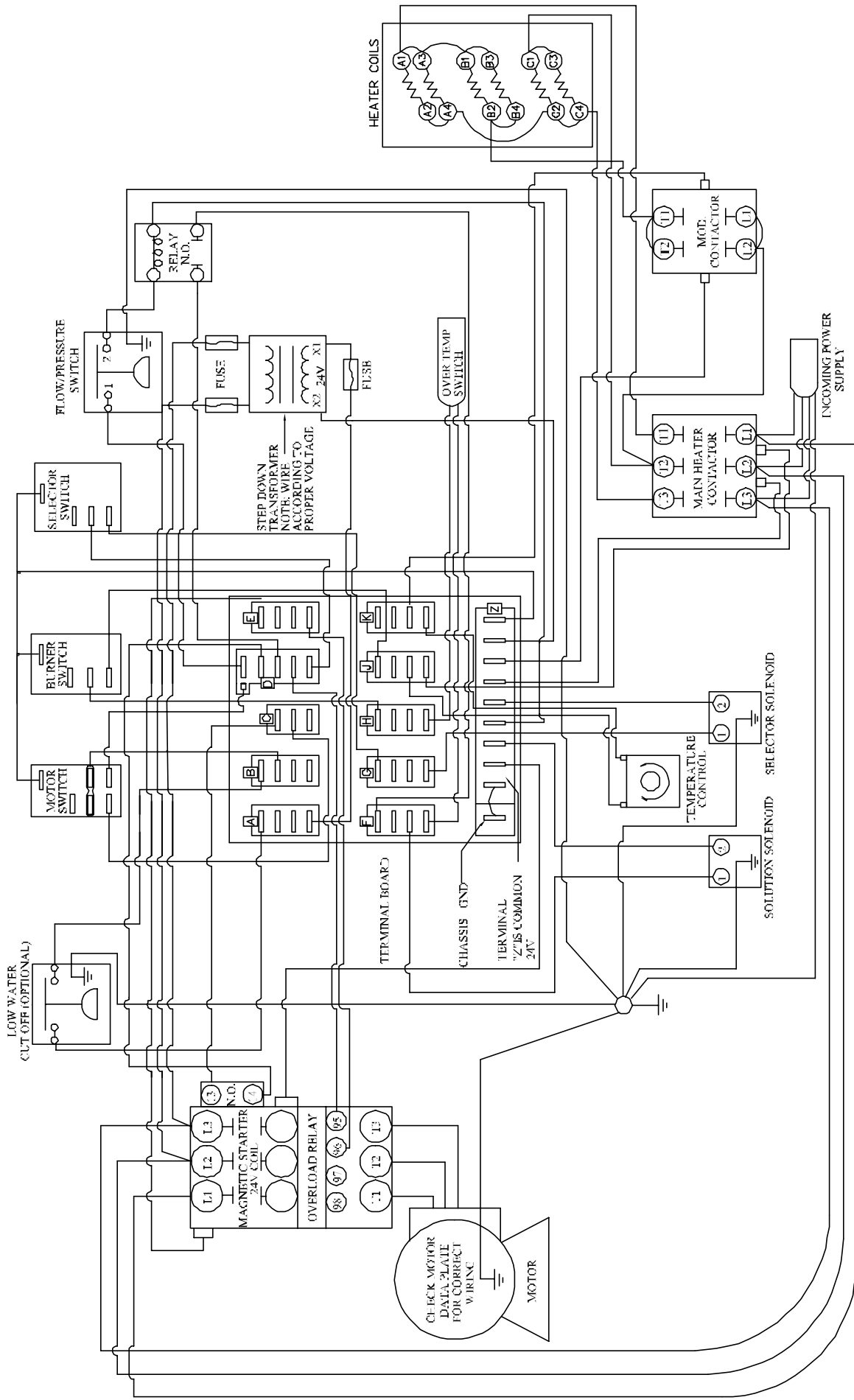
ITEM NO.	QTY.	DESCRIPTION	PART NO.
1	3.33'	TUBING,SS,ANNEALED,SEAMLESS,3/8ODX.035WA 40"	JD1930
2	1	COUPLING,HEX,STEEL,PLATED,3/8NPX3/8NPT	JD 907-04
3	3	BUSHING,REDUCER,HEX,STEEL,PLATED,1/2X3/8	JD2599
4	1	CHASSIS,AEP,ASSY,E1000-C,E2000-C,E3000-C	JP7712
5	1	PLUG,HEAD,HEX,STEEL,PLATED,1/2NPT	JD2648
6	1	HOSE,COMBINATION,JENNY,3/8X50'	JD7624
7	2	SCREW,FLANGE,HEX,SERR,ST,PL,5/16-18X1/2	JD7905
8	1	PUMP,PLUNGER,TRIPLEX,1700PSI,8.0GPM,GIA	JP7732-03
9	1	CONTROL,LIMIT,TEMPERATURE,AUTOMATIC	JD3701-B
10	1	NIPPLE,STEEL,SCH80,3/8NPTX4LONG	JD1028
11	1	CONNECTOR,MALE,SS,FLARELESS,3/8"OD,TUBE	JD 684-02

FIGURE 1-8 (Cross,Female,Steel,Plated,W/Bracket,JP7732-A,AEP E3000-C,ASSY)



ITEM NO.	QTY.	DESCRIPTION	PART NO.
1	6	NUT,LOCK,BRASS,ELASTIC,10-32	JD3726-03
2	12	WASHER,FLAT,BRASS,#10	JD3795
3	6	NUT,HEX,BRASS,10-32	JD3794
4	6	BUSHING,CERAMIC,1/2ODX3/16IDX1/2	JD3796
5	6	WASHER,RUBBER,SILICONE,5/16ODX3/16IDX1/8	JD6215
6	1	WIRE,SRML,SILICONE,WHITE,6/1	JE 453
7	6	NUT,HEX,JAM,STEEL,PLATED,7/8-14	JD 802
8	1	PANEL,COIL,ELECTRIC,ASSY,EX000,N/S	
9	1	TERMINAL,TONGUE,RING,3/16HOLE,6-8GAUGE	JD1374

FIGURE 1-9 (COIL,TERMINAL,AEP E3000-C ASSY)



NOTE:
 1) SET OVERLOAD TO AUTO POSITION.