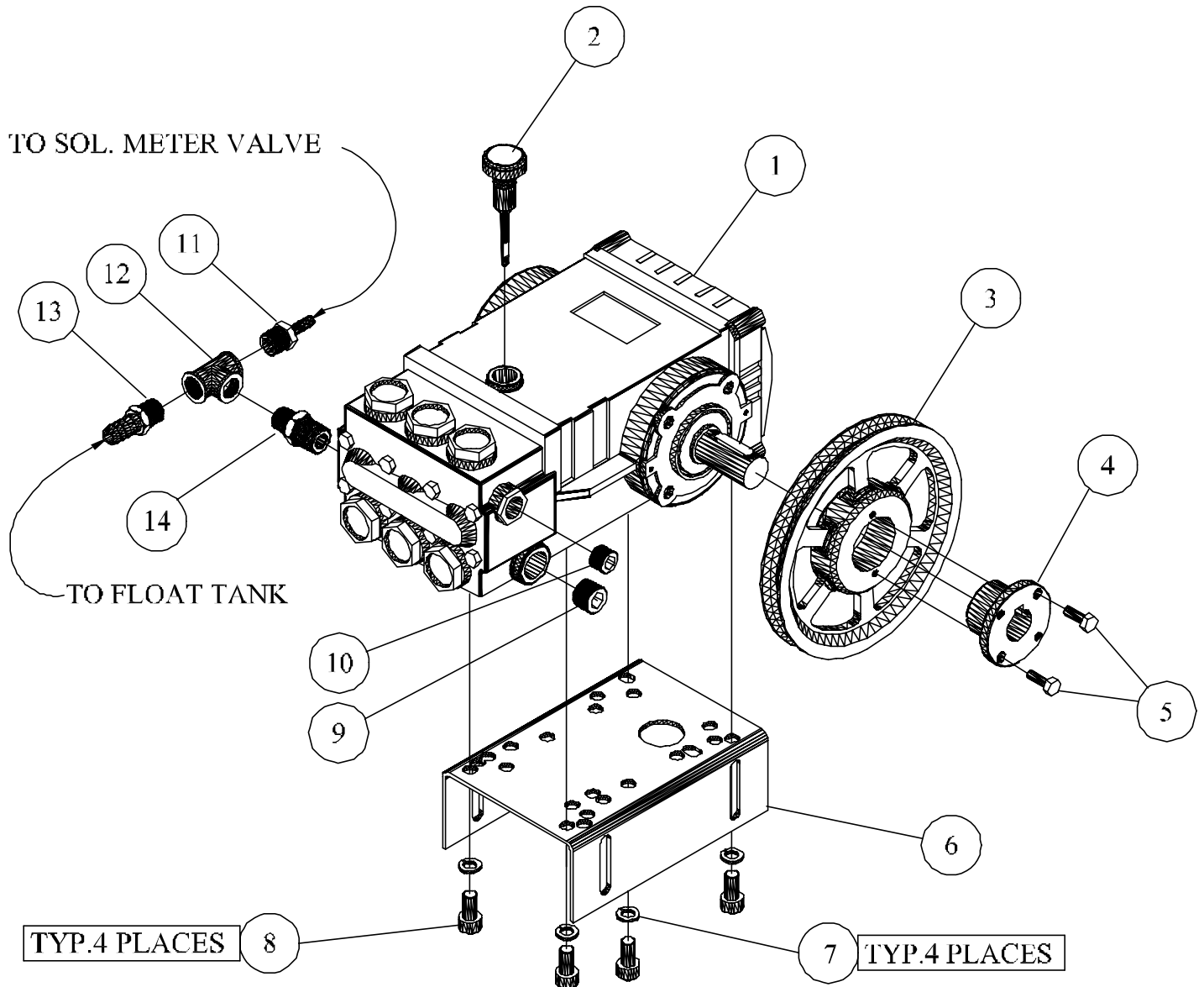


JENNY PRODUCTS INC.
 E1000-C, AEP, 460/60/3, N/C, T/C 1.WC

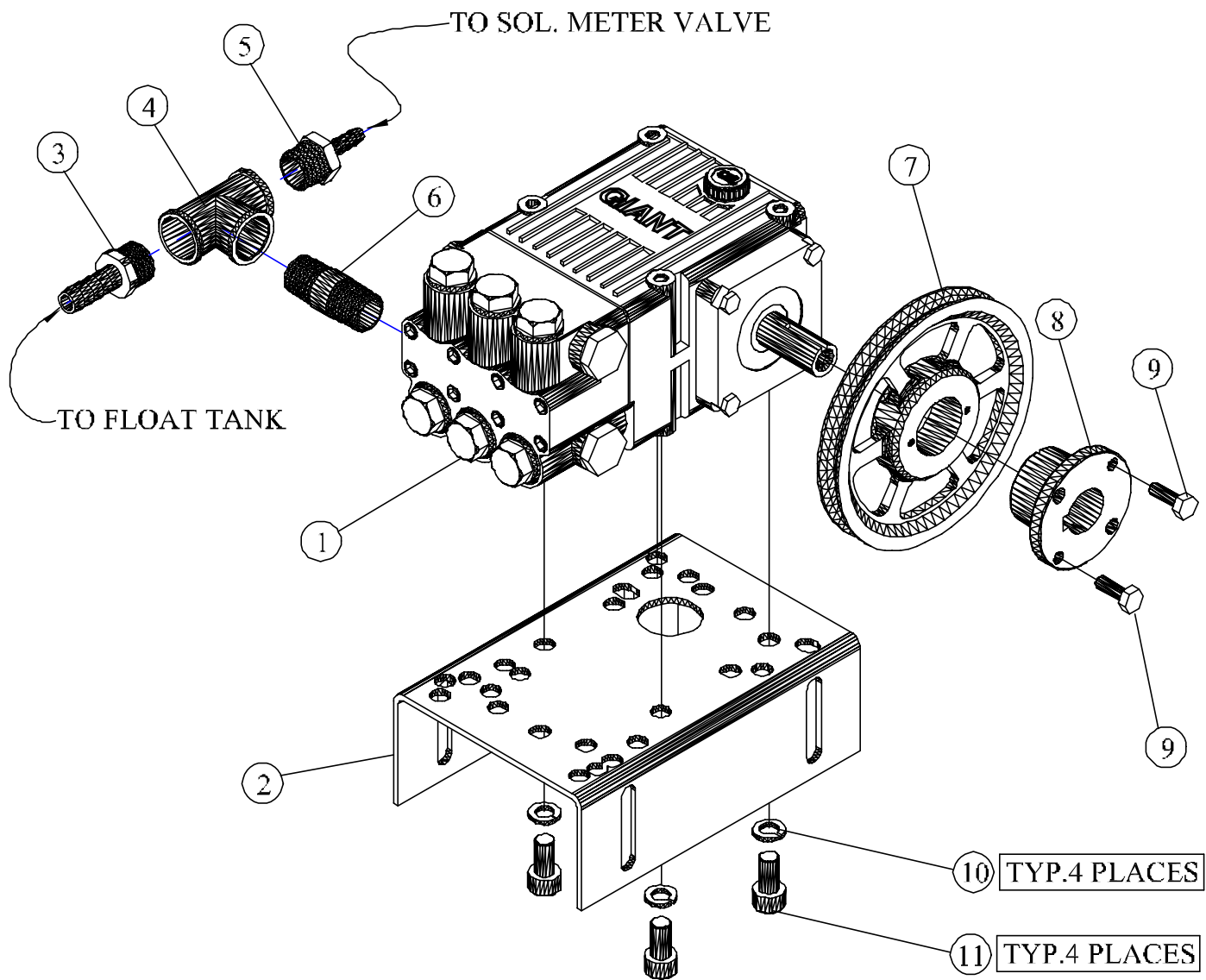
E1000-C, AEP, N/C, T/C, LWC			
460/60/3PH			
Notes: Figure 20- (Common Parts)		PARTS LIST	
Electrical Dia. Files Jw 201			
ITEM NO.	DESCRIPTION	QTY.	PART NO.
1	CHASSIS, AEP, ASSY, E1000-C, E2000-C, E3000-C	1	JP7712
2	TANK, SOLUTION, STEEL, PAINTED, 6GAL, ASSY	1	JP7725-A
3	PANEL, COVER, REAR, STEEL, PAINTED, AEP	1	JP7729
4	WHEEL, PNEUMATIC, 10"ODX3/4"ID, BALL BEARING	2	JP2643-F
5	COLLAR, SCREW, SET, STEEL, PLATED, 3/4"ID	2	JD7777
6	CASTER, SWIVEL, W/BRAKE, 5"DIA X 2"FACE	1	JD3217-01
7	CASTER, SWIVEL, W/BRAKE, 5"DIA X 2"FACE	1	JD3217-02
8	SCREW, FLANGE, HEX, SERR, ST, PL, 3/8-16X3/4	4	JD7906-A
9	AXLE, CHASSIS, STEEL, PLATED, 3/4"ODX24"O/L	1	JD8010
10ASSY-A SEE FIG 1-3	BOX, JUNCTION, ASSY, E1000-C, 460/60/3	1	JP7719
10ASSY-B SEE FIG 1-3	BOX, JUNCTION, ASSY, E1000-C, 230/60/3	1	JP7719-A
10ASSY-C SEE FIG 1-3	BOX, JUNCTION, ASSY, E1000-C, 575/60/3	1	JP7719-B
10ASSY-D SEE FIG 1-3	BOX, JUNCTION, ASSY, E1000-C, 380/50/3	1	JP7719-C
11-A	MOTOR, 2HP, ASSY, E-1000-C, 208-230-460/60/3	1	JP7726
11-B	MOTOR, 2HP, ASSY, E-1000-C, 575/60/3	1	JP7726-A
11-C	MOTOR, 2HP, ASSY, E1000-C, 380/50/3	1	JP7726-G
12ASSY-A SEE FIG 1-1B	PUMP, MOUNTING & FITTINGS, ASSY, E1000-C, GIA	1	JP7718-F
12ASSY-B SEE FIG 1-1A	PUMP, MOUNTING & FITTINGS, ASSY, E1000-C, AR	1	JP7718
	OIL,PUMP,SYNTHETIC,HIGH-PERFORMANCE,1 QT	1	JD7999-A
	OIL,PUMP,SYNTHETIC,HIGH-PERFORMANCE,1 PT	1	JD7999-B
13ASSY SEE FIG 1-2	MANIFOLD, FITTINGS, VALVES, E-1000-C, ASSY	1	JP7716-A
14ASSY SEE FIG 1-4	TANK, FLOAT, ASSY, W/FITTINGS, AEP	1	JP7717
15ASSY SEE FIG 20-2	SWITCH, PRESSURE, W/BRACKET, ASSY, AEP	1	JP7731-A
16ASSY SEE FIG 1-10	WATER, INLET, AEP, E1000-C ASSY	1	
17ASSY SEE FIG 1-8	CROSS, FEMALE, STEEL, PLATED, W/BRACKET, ASSY	1	JP7732
18	NUT, LOCK, CONDUIT, STEEL, PLATED, 1/2"	1	JP 809
19ASSY-A SEE FIG 1-5	PANEL, COIL, ELECTRIC, 440V, PARTS ASSY, E1000, N/S	1	JP7714-L
19ASSY-B SEE FIG 1-5	PANEL, COIL, ELECTRIC, 230V, ASSY, N/S, PARTS	1	JP7714-N
19ASSY-C SEE FIG 1-5	PANEL, COIL, ELECTRIC, 550V, ASSY, N/S, PARTS	1	JP7714-J
19ASSY-D SEE FIG 1-5	PANEL, COIL, ELECTRIC, 208V, ASSY, N/S, PARTS	1	JP7714-O
20	VALVE, SOLENOID, SOLUTION, 24V, 1/4NPT	1	JD2162-F
21	CONNECTOR, RELIEF, STRAIN, 1/4-3/8, 1/2NPTM	1	JD1687-06
22ASSY SEE FIG 1-9	COIL, TERMINAL, AEP, E1000-C ASSY		
23	HOSE, HYD, 3K PSI, 21"L, 3/8NPTM, 90D-3/8NPTM	1	JD7890
24	HOSE, HYD, 3K PSI, 23"L, 3/8NPTM, 90D-3/8NPTM	1	JD7542
25	HOSE, RUBBER, GARDEN, 5/8	0.883'	JL 146
26	HOSE, SOLVENT, NEOPRENE, 1/2"ID	1.5'	JD 946
27	TUBING, PVC, REINFORCED, 3/8"ID	1.083'	JD7575
28	TUBING, PVC, CLEAR, 3/8ODX1/4ID	7	JD3087
29	CLAMP, SLEEVE, PLASTIC, 3/8ID	6	JD2759
30	CLAMP, GEAR, WORM, SS, 7/16 TO 25/32" DIA.	2	JD3068
31	CLAMP, HOSE, GEAR, WORM, SS, 9/16TO1-1/16DIA	6	JD1229-A
32	SCREW, SLF DRL, HEX WASHER, PLTD, #10x5/8	7	JD7074-A
33	SCREW, SLF DRL, PHILLIP, ST, PLTD, #8X1/2	4	JD6050
34	SCREW, FLANGE, HEX, SERR, ST, PL, 3/8-16X1-3/4	4	JD7906-E
35	SCREW, FLANGE, HEX, SERR, ST, PL, 5/16-18X1/2	2	JD7905
36	NUT, LOCK, FLANGE, HEX, SERR, ST, PL, 5/16-18	4	JD7774-E
37	SCREW, FLANGE, HEX, SERR, ST, PL, 5/16-18X3/4	4	JD7905-B
38	SCREW, FLANGE, HEX, SERR, ST, PL, 1/4-20X1"	2	JD7904-D
39	SCREW, FLANGE, HEX, SERR, ST, PL, 1/4-20X3/4	5	JD7904-C
40	SCREW, FLANGE, HEX, SERR, ST, PL, 1/4-20X1/2	9	JD7904-A
41	SCREW, CARRIAGE, GR5, ST, PL, 3/8X6	2	JD7798
42	SCREW, CAP, HEX HD, ST, PL, FLT, 3/8-16X2-1/4"	2	JD7035
43	NUT, LOCK, FLANGE, HEX, SERR, ST, PL, 3/8-16	10	JD7774-F
44	NUT, LOCK, FLANGE, HEX, SERR, ST, PL, 1/4-20	9	JD7774-D

45	TEE, BARB, PLASTIC, 3/8X5/8X5/8	1	JD7823
46	CLAMP, HOSE, NYLON, BLACK, .750/.875DIA	2	JD7859-F
47	ELBOW, FEMALE, STEEL, PLATED, 3/8"NPT	1	JD 691
48-A	BELT, VEE, COG, 4L, 46-16/64 (AR PUMP)	1	JE 877
48-B	BELT, VEE, COG, AX40 (GIANT PUMP)	1	JD3950-02
49	VALVE, NEEDLE, SOLUTION, BRASS, 1/4IDHS-BARB	1	JD6248-A
50	RECEPTICAL, CLIP-ON, STEEL, DACROTIZED	6	JP7733-01
51	CLAMP, HOSE, NYLON, BLACK, .406/.468DIA	2	JD7859-A
52	PANEL, FRONT, ASSY, AEP	1	JP7715-A
53	SCREW, PHILLIPS, HEAD, "N", COVER	6	JP7733
54	RETAINER, SCREW, PHILLIPS, HEAD, "N"	6	JP7733-02
55	LUG, TERMINAL, COPPER, 3/16BOLT, 6-14GAUGE	1	JD6152
56	COVER, TERMINAL, ST, CASING, COIL, E-X000-C	1	JP7721
57	COVER, SS, ASSY, OEP, NEW, JB, MACH	1	JD8248
58	NOZZLE, SPRAY, PSI, SS, QCK CON, 0 DEG, O#4.0	1	JD7755
59	NOZZLE, SPRAY, PSI, SS, QCK CON, 15DEG, O#4.0	1	JD7756
60	NOZZLE, SPRAY, PSI, SS, QCK CON, 25DEG, O#4.0	1	JD7757
61	NOZZLE, SPRAY, PSI, SS, QCK CON, 40DEG, O#4.0	1	JD7758
62 ASSY SEE FIG 1-7	NOZZLE, STEAM, 3/4HEX, STEEL, PLATED, TAPPED	1	JP3308-B
63	PLATE, NAME, ALUM, PRINT, BLACK, 4X4	1	JD3456
64	DECAL, INDICATOR, HANDLE, VALVE, SOLUTION	1	JD7143
65	DECAL, SOLUTION, METERING, VALVE	1	JD7821
66	DECAL, NUMBER, MODEL, E-1000-C, BLUE	2	JD7765-03
67	DECAL, DANGER, WARNING, CAUTION, LARGE	1	JD7239
68 ASSY SEE FIG 1-6	GUN, SCH80, N/C, W/O, SWIVEL, ASSY, 3/8", COMB	1	JP4261-H
69	HOSE, COMBINATION, JENNY, 3/8X50'	1	JD7624
70	MOLDING, RUBBER, FOAM, ADHESIVE, 1/2WX1/8T	1	JD3782-B
71	COVER, BOX, JUNCTION, ST, PAINTED	1	JP7713-01
72	SCREW, MACHINE, PHILLIP, ST, PL, 10-32X3/4	8	JD 593
73	SCREEN, COVER, MACHINE, ST, PAINTED	3	JP7720-01
74	RIVET, AL, .160-.164HOLE, .063-.125GRP, 5/32	24	JP7720-02
75	WASHER, FLAT, SS, 7/8ODX5/32IDX20GAUGE	24	JP7720-03
76	WIRE, SO, CPE, BLACK, 16/4	1	JE 441
77	ELBOW, RELIEF, STRAIN, 3/8-1/2, 1/2NPTM	1	JD1687-14
78-A	PULLEY, CI, SG, TH, BK47H, 3.7PDA, 4.1PDB, 60HZ MTR	1	JD3904-42
78-B	PULLEY, CI, SG, TH, BK55H, 4.5PDA, 4.9PDB, 50HZ MTR	1	JD3904-40
79	BUSHING, PULLEY, TAPERED, 5/8"BORE	1	JD3915-01
80	CAP, FILLER, FUEL, STEEL, PLATED, 1/4 TURN	1	JD3174
81	PLUG, HEAD, SOCKET, HEX, STEEL, PLATED, 3/4"NP	1	JD 877
82	BARB, HOSE, MALE, BRASS, 1/4HSX1/4NPT	1	JD2765



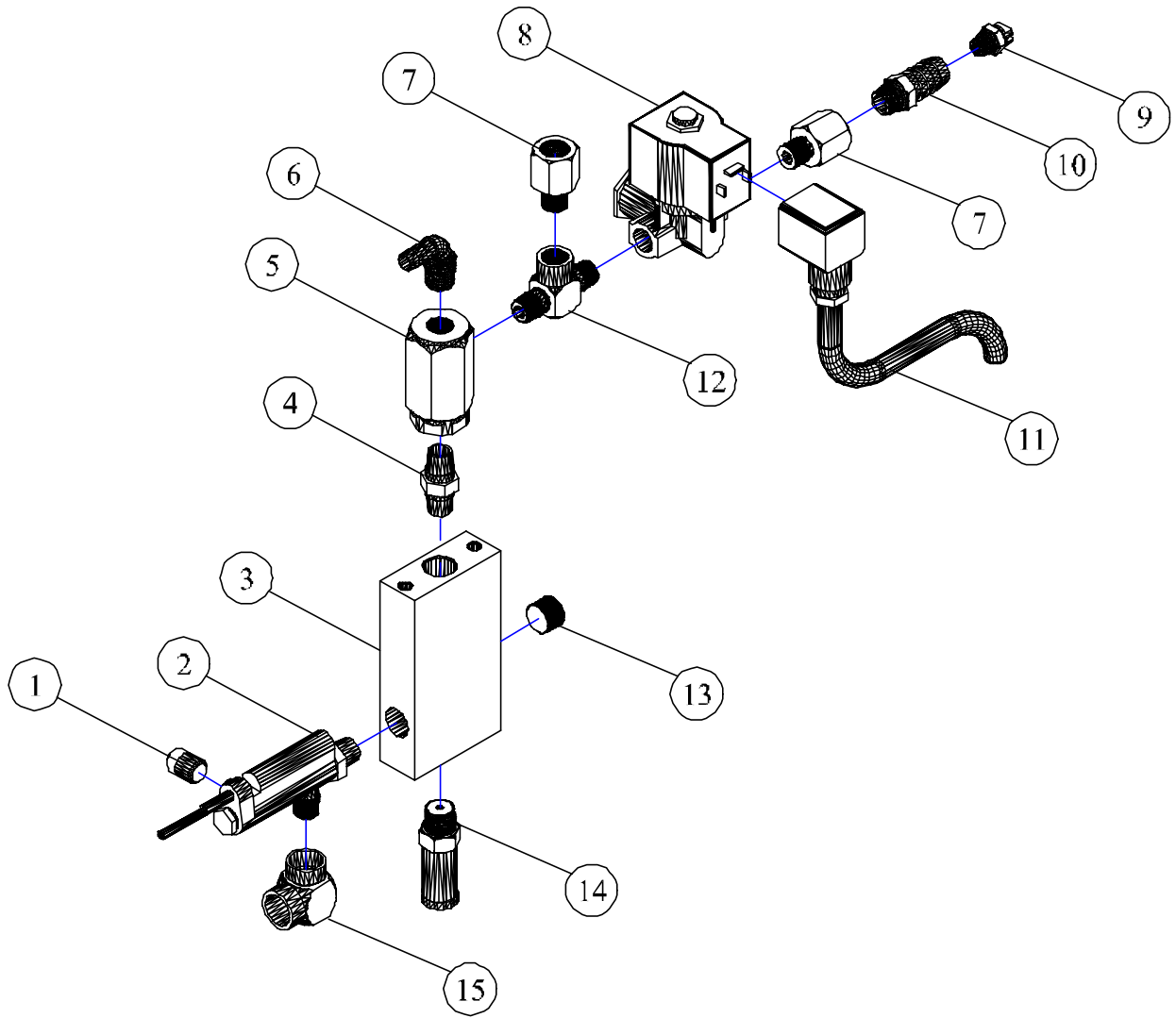
ITEM NO.	QTY.	DESCRIPTION	PART NO.
1	1	PUMP, PLUNGER, TRIPLEX, 2500 PSI, 3.0GPM,AR	JD7954
2	1	OIL, DIP, STICK, (RECEIVED W/PUMP)	
3	1	PULLEY, CI, SG,TH, AK71H, 6.7PDA, 6.36PD3L	JD3904-65
4	1	BUSHING, PULLEY, TAPERED, 24MM BORE	JD3915
5	2	H.H.B.1/4-20 UNC-3/4 CLASS 5 RECEIVED W/BUSHING	
6	1	PLATE, MOUNTING, PUMP, STEEL, PAINTED, JB	JD8016
7	4	WASHER, LOCK, 5/16	JD 612
8	4	SCREW, CAP, HEX, HEAD, ST, PLATED, M8-1.25X16MM	JD7258
9	1	PLUG, SOCKET, HEX, BRASS, 1/2NPT	JD2648-01
10	1	PLUG, SOCKET, HEX, BRASS, 3/8NPT	JD7151
11	1	BARB, HOSE, MALE, BRASS, 1/4HSX3/8NPT	JD3115
12	1	TEE, FEMALE, BRASS, 3/8NPT	JD3055
13	1	BARB, HOSE, MALE, BRASS, 1/2HSX3/8NPT	JD7708
14	1	NIPPLE, HEX, BRASS, 3/8NPTX1/2NPT	JP6734

FIGURE 1-1A (PUMP, AR, MOUNTING & FITTING, JP7718, AEP E1000-C OEP ASS'Y)



ITEM NO.	QTY.	DESCRIPTION	PART NO.
1	1	PUMP, PLUNGER, TRIPLEX, 2000PSI, 3.18GPM, GIANT	JD7675
2	1	PLATE, MOUNTING, PUMP, STEEL, PLATED, JB	JD8016
3	1	BARB, HOSE, MALE, BRASS, 1/2HSX1/2NPT	JD7077-A
4	1	TEE, FEMALE, BRASS, 1/2NPT	JD3023
5	1	BARB, HOSE, MALE, BR, 1/4HSX1/2NPTM	JD7826
6	1	NIPPLE, BRASS, 1/2NPTX1-1/2LONG	JD3094-01
7	1	PULLEY, CI, SG, TH,AK64H, 6.0PDA, 5.66PD3L	JD3903-E
8	1	BUSHING, PULLEY, TAPERED, 24MM BORE	JD3915
9	2	H.H.B. 1/4-20 UNC - 3/4 CLS 5 RECEIVED, W/BUSHING	
10	4	WASHER, LOCK, 5/16	JD 612
11	4	SCREW, CAP, HEX, HEAD, ST, PLTD, M8-1.25 X 16 MM	JD7258

FIGURE 1-1B (PUMP, MOUNTING & FITTING, JP7718-F, E1000-C, ASS'Y)



ITEM NO.	QTY.	DESCRIPTION	PART NO.
1	1	PLUG, HEAD, SQUARE, BRASS, 1/4NPT	JD 679-02
2	1	SWITCH, FLOW, SP, T, NO, 20VA, 3/8NPTM	JD7279
3	1	MANIFOLD, FITTINGS, STEEL, PLATED, ALL UNITS	JP7716
4	1	NIPPLE, HEX, STEEL, PLATED, 3/8NPTX3/8NPT	JD3716-01
5	1	VALVE, UNLOADER, FLUI-TROL, A1300	JV1300
6	1	BARB, HOSE, ELBOW, MALE, BRASS, 3/8HSX3/8NPT	JD7149
7	2	ADAPTER, EXPANDING, STEEL, PLATED, 1/4MX3/8F	JD6224
8	1	VALVE, SOLENOID, BYPASS, 24V, 1/4NPT	JD3063-E
9	1	NOZZLE, SPRAY, PSI WASH, SS, 1/4MEG-2505	JD3523
10	1	BARB, HOSE, MALE, BRASS, TAPPED1/4, 5/8HSX3/8	JP6898
11	1	CONNECTOR, SOLENOID, RELIEF, STRAIN, DIN	JD7703
12	1	TEE, STEEL, PLATED, 1/4NPTMX1/4NPTMX1/4NPTF	JD7797
13	1	PLUG, SOCKET, HEX, BRASS, 3/8 NPT	JD7151
14	1	VALVE, RELIEF, 1200-2400PSI, 160F, 3/8NPTM	JD7048-C
15	1	ELBOW, FEMALE, STEEL, PLATED, 3/8"NPT	JD 691

FIGURE 1-2 (Manifold, Valve, Fitting, JP7716-A, E1000-C, Ass'y)

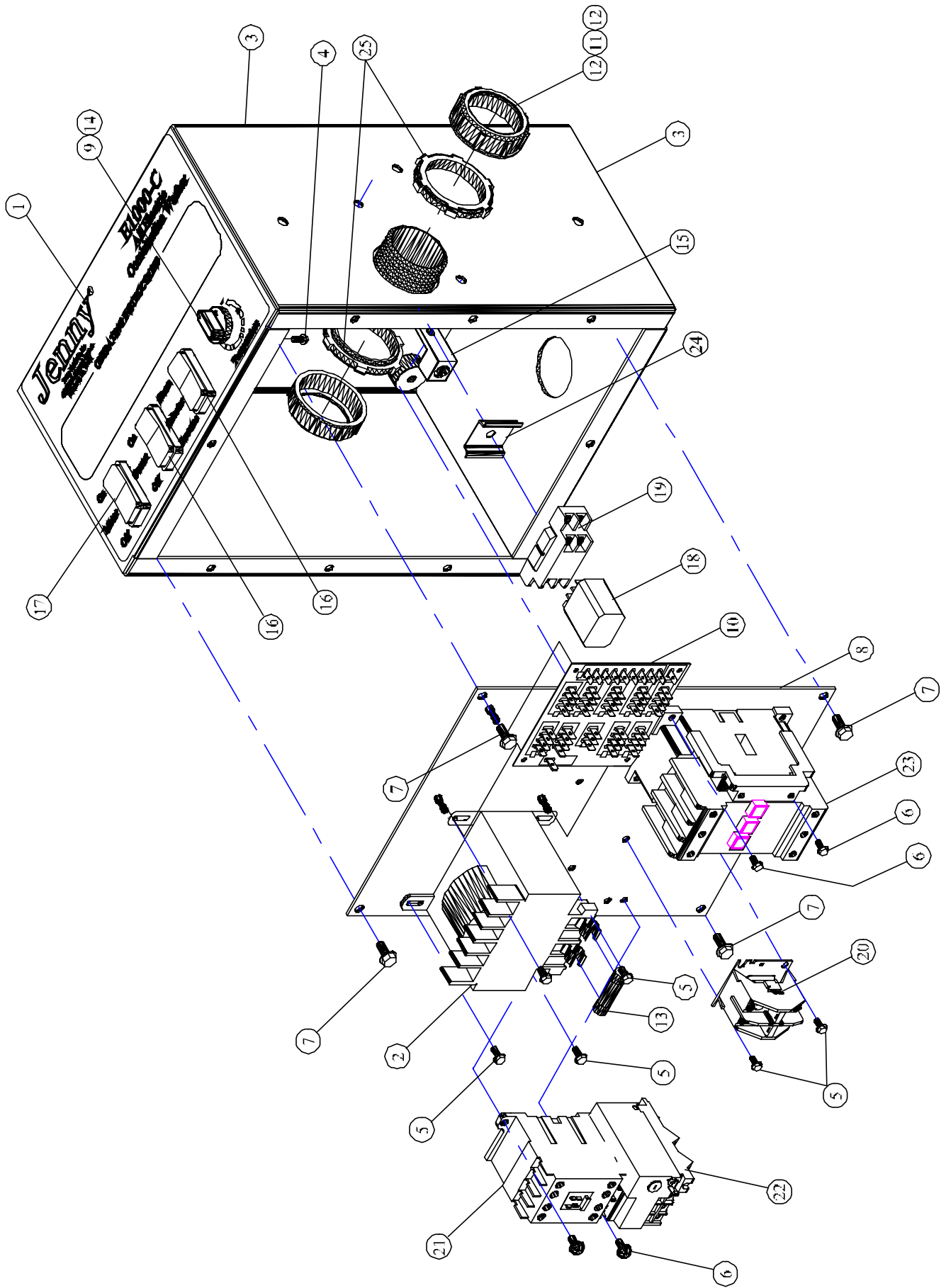
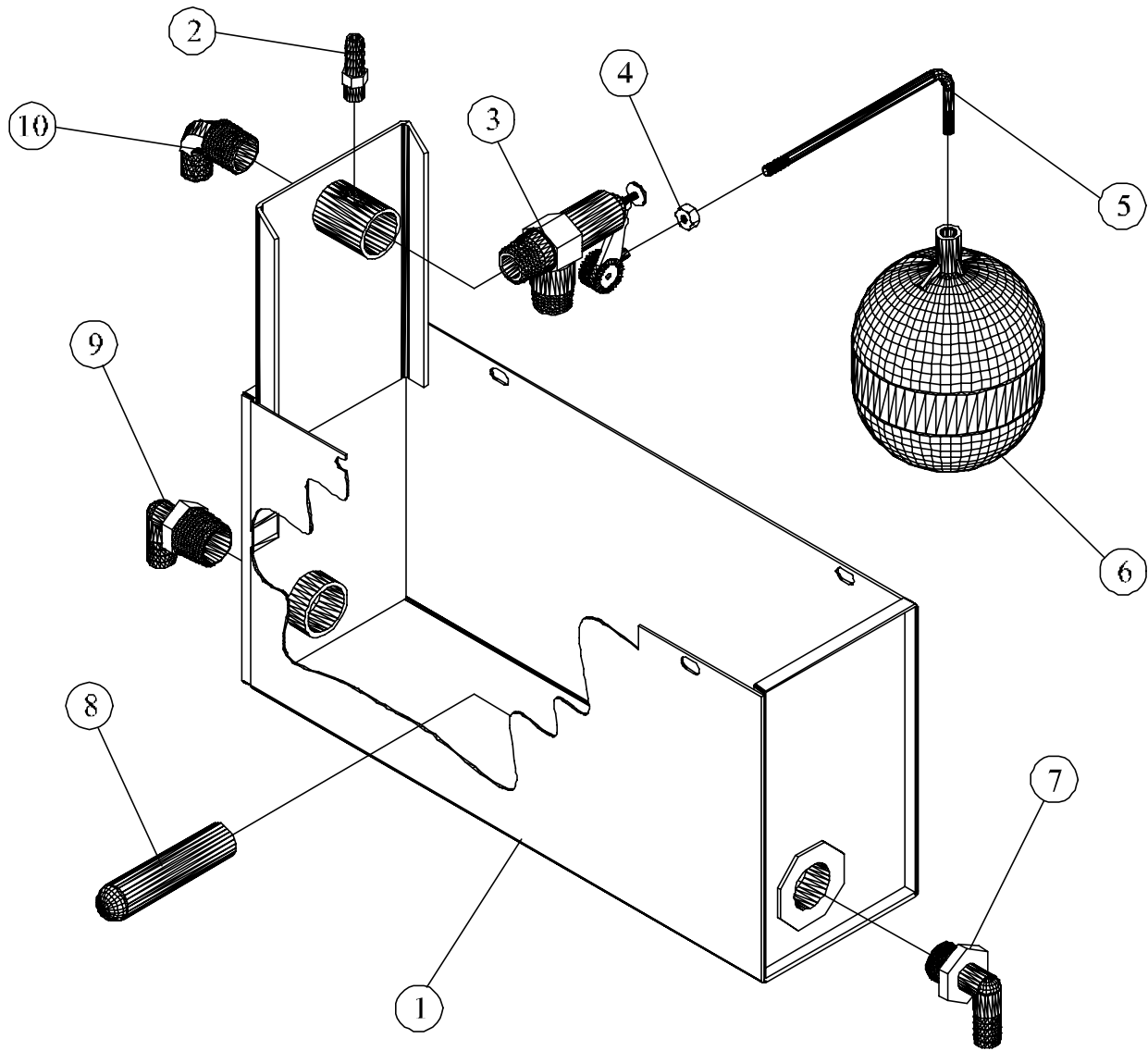


FIGURE 1-3 (BOX, JUNCTION, PANEL, AEP, E1000-C 208-230-380-460-575/60/3PH, JP7719-A, JP7719-B, JP7719-C, ASSY)

ITEM NO.	DESCRIPTION	QTY.	PART NO.
1	DECAL, PANEL, INSTRUCTION, E-1000-C	1	JD7765
2-A	TRNSFRMR, CTRL, OPN, 100VA, 120-460VP, 24VS, (208-230 & 460V MACHINES)	1	JD2868
2-B	TRNSFRMR, CTRL, OPN, 100VA, 240-480VP, 24VS, (380V MACHINES)	1	JD3987-12
2-C	TRNSFRMR, CTRL, OPN, 100VA, 600VP, 24VS	1	JD3987-13
3	BOX, JUNCTION, STEEL, PAINTED, ALL-ELECTRIC	1	JP7713
4	SCREW, MACHINE, PHILLIP, ST, PL, 6-32X1/4	2	JD6206
5	SCREW, FLANGE, HEX, SERR, ST, PL, 8-32x3/8	6	JD7901-B
6	SCREW, FLANGE, HEX, SERR, ST, PL, 8-32x5/8	4	JD7901-D
7	SCREW, FLANGE, HEX, SERR, ST, PL, 1/4-20X3/8	4	JD7904
8	PLATE, MOUNTING, JUNCTION, BOX, EX000-C	1	JP7713-02
9	KNOB, RUBBER, BLACK, CONTROL, TEMPERATURE	1	JD7799
10	BOARD, CIRCUIT, PRINTED, ALL MACHINES	1	JB5000
11	NIPPLE, CLOSE, STEEL, SCH40, 1-1/2"NPT	1	JD1243
12	BUSHING, CONDUIT, INSULATED, PLASTIC, 1-1/2	2	JD7605-01
13	FUSE, ELEMENT, DUAL, DELAY, TIME, 250V, 6AMP	1	JD3107-11
14	CONTROL, LIMIT, TEMPERATURE, AUTOMATIC	1	JD3701-B
15	LUG, TERMINAL, COPPER, 1/4BOLT, 1/0-6GAUGE	1	JP1706
16	SWITCH, ROCKER, SP, ST, 10A, 24V, LED LIGHTS	2	JE1004
17	SWITCH, ROCKER, DP, DT, OFF-ON-MOM, 10A, 24V	1	JE1006
18	RELAY, DP, DT, 24VAC	1	JD7819
19	BASE, RELAY, DP	1	JD7819-A
20	CONTACTOR, DP, OP, 2P, 30A, 24V	1	JP3530-D
21-A	CONTACTOR, DP, OP, 3P, 30A, 24V, W/AUX CONTACT, 380V (TO 5/1/01)	1	JD7651-B
21-B	CONTACTOR, DP, OP, 3P, 30A, 24V, CA7 SERIES (FROM 5/1/01)	1	JD7651-W
22-A	RELAY, OVERLOAD, THERMAL, PLUG-IN, 2.2-3.1A, 460-575V (TO 5/1/01)	1	JD7651-06
22-B	RELAY, OVERLOAD, THERMAL, PLUG-IN, 3.5-5.0A, 230V (TO 5/1/01)	1	JD7651-08
22-C	RELAY, OVERLOAD, THERMAL, PLUG-IN, 1.6-2.4A (FROM 5/1/01)	1	JD7651-30
22-D	RELAY, OVERLOAD, THERMAL, PLUG-IN, 2.4-4A (FROM 5/1/01)	1	JD7651-31
23-A	CONTACTOR, DP, OP, 3P, 60A, 24V, 380-460-575V	1	JD7800
23-B	CONTACTOR, DP, OP, 3P, 90A, 24V, 230V	1	JD7803
24	RAIL, DIN, STL, PLTD, TAIL, DOVE, 1 3/8X5/16	.208'	JD7768-A
25	NUT, LOCK, CONDUIT, STEEL, PLTD, W/SEAL, 1-1/2	2	JD3849-01



ITEM NO.	QTY.	DESCRIPTION	PART NO.
1	1	TANK, FLOAT, BOLT-ON, JB	JD8015
2	1	BARB, HOSE, MALE, BRASS, 1/4 HS X 1/8 NPT	JD6132
3	1	VALVE, FLOAT, BRASS, 60PSI, 1/2"NPTM	JD2988-B
4	1	NUT, HEX, STEEL, PLATED, 1/4-20	JD 791
5	1	ROD, FLOAT, BENT, BRASS, 1/4 X 5-5/8 LG X 1/4-20	JD1416-02
6	1	BALL, FLOAT, PLASTIC, BLACK	JD1416-01
7	1	ELBOW, BARB, HOSE, MALE, PLASTIC, 1/2HS X 3/4NPT	JD7058
8	1	STRAINER, WATER, SS, 30MESH, 47/64 OD X 3-1/8 LG	JD3843--B
9	1	ELBOW, BARB, HOSE, MALE, PLASTIC, 5/8HS X 3/4NPT	JD3663
10	1	BARB, HOSE, ELBOW, BRASS, 5/8HS X 1/2NPT	JD7150-02

FIGURE 1-4 (Tank, Float, Fitting, AEP E1000-C, JP7717 Ass'y)

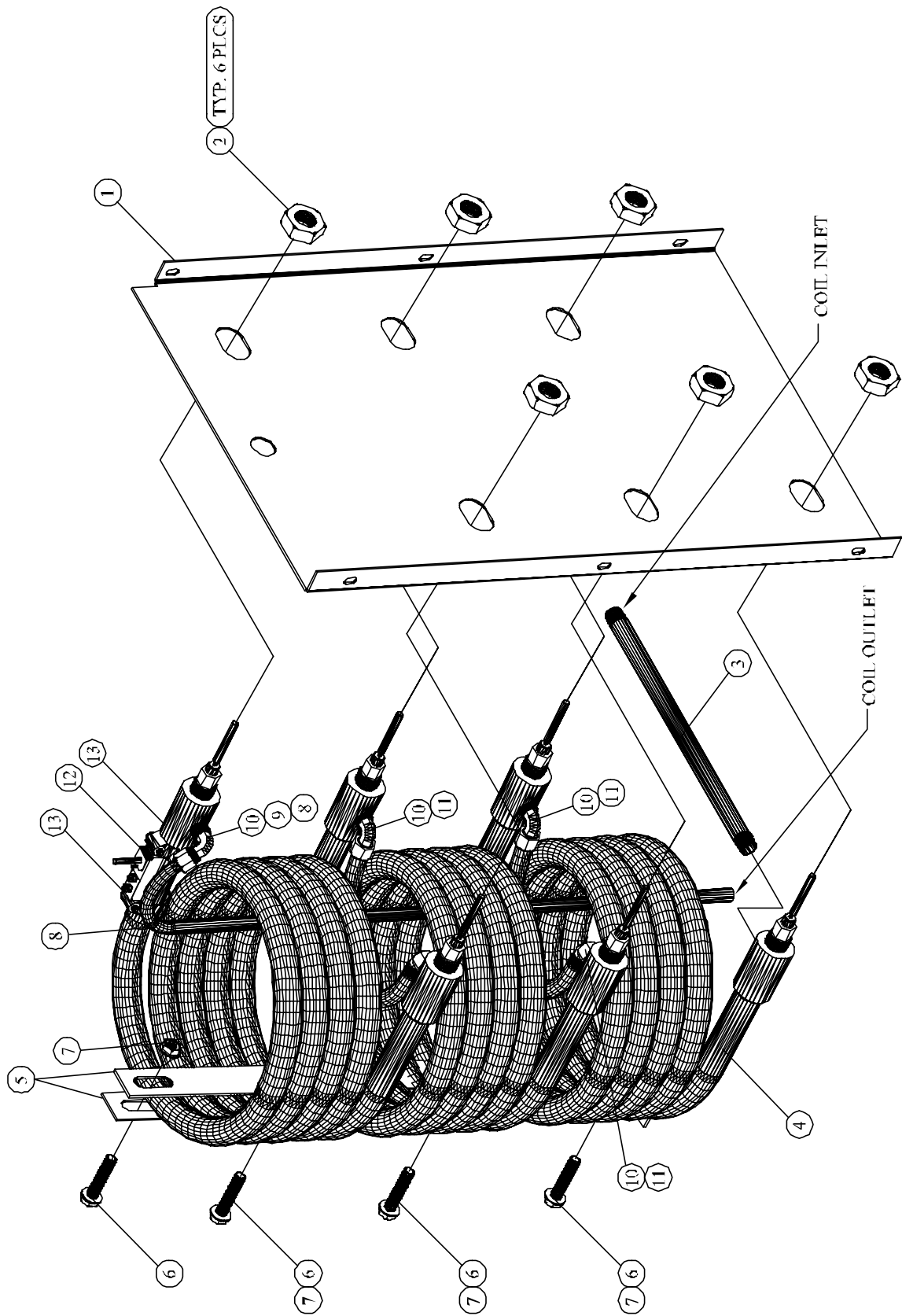
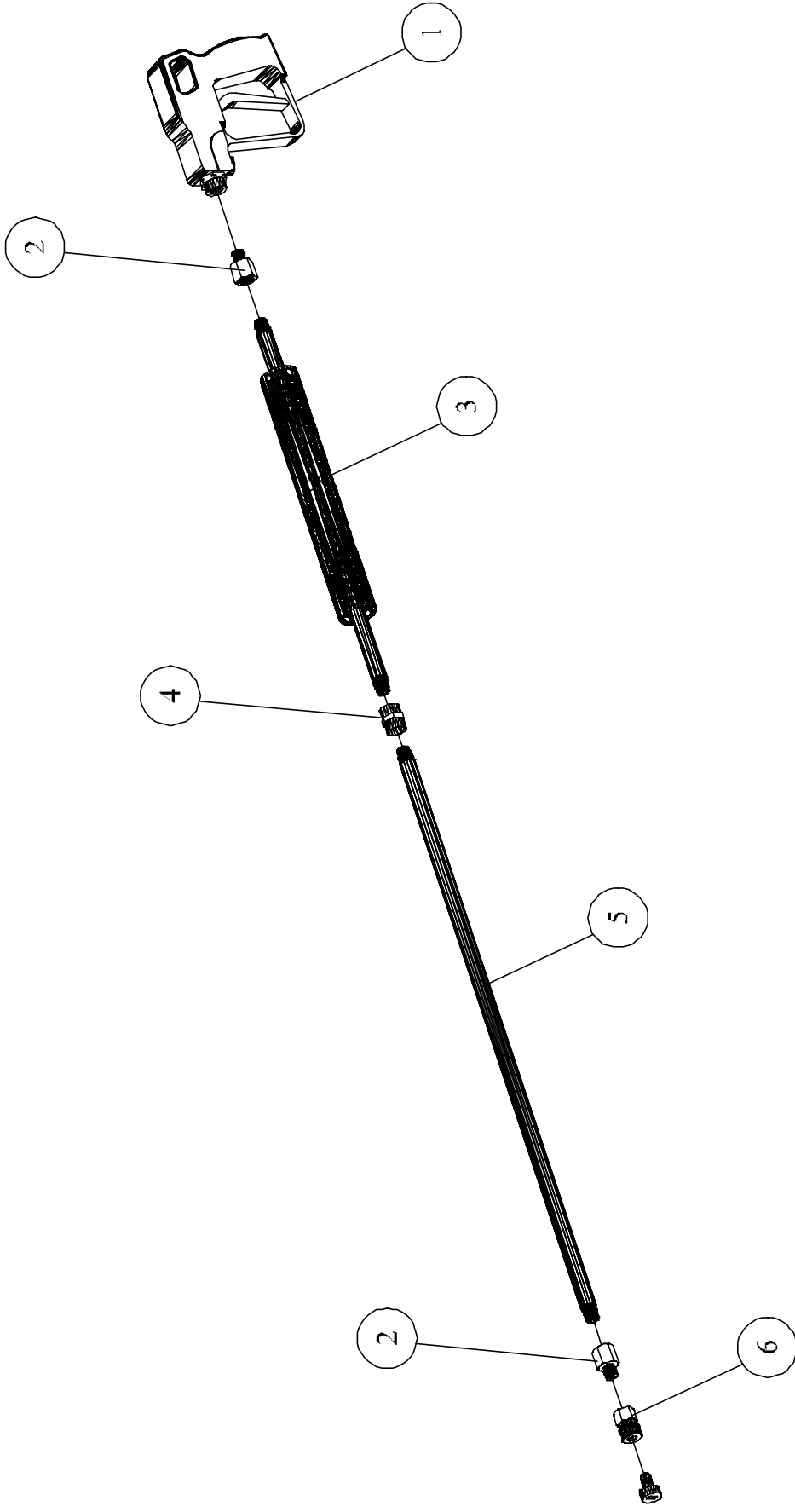


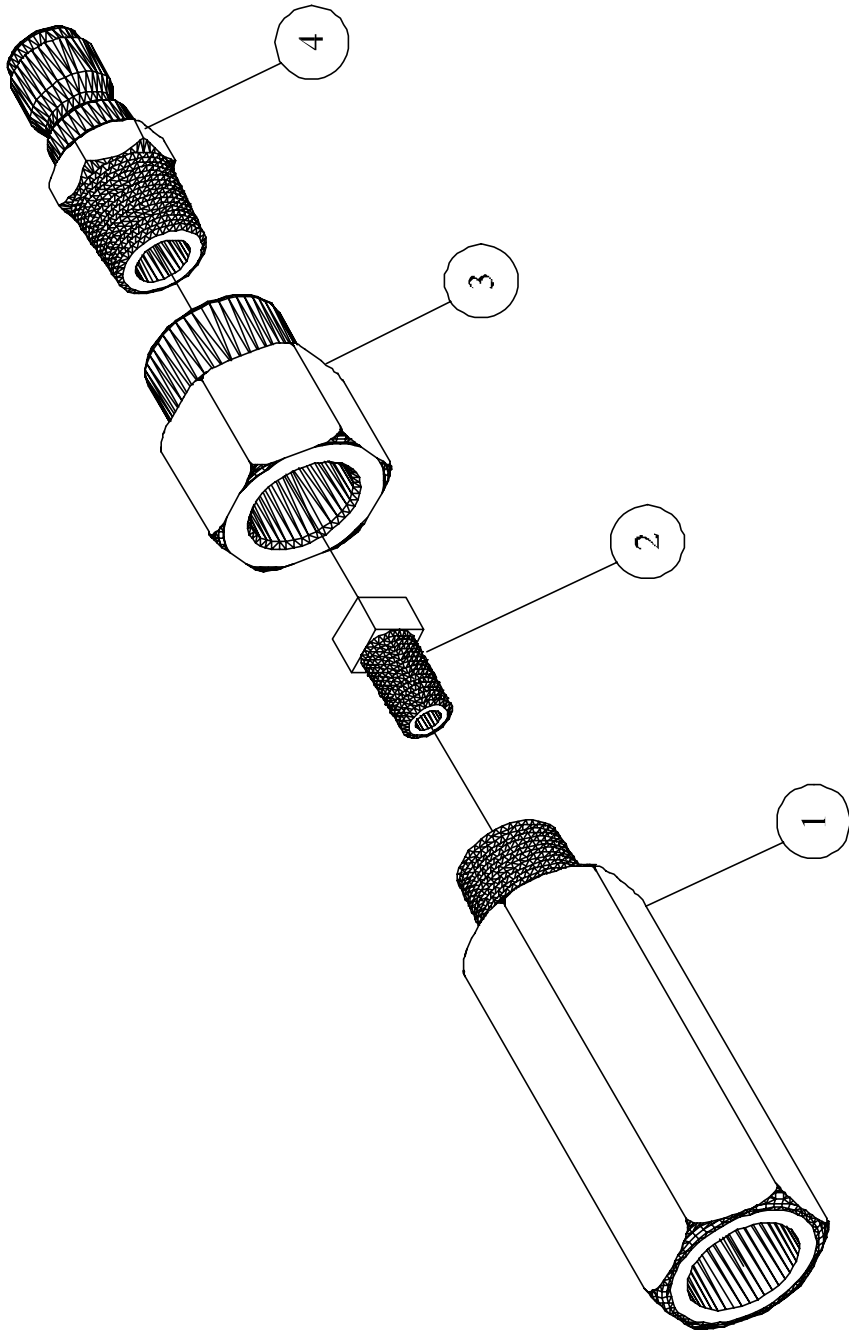
FIGURE 1-5 (PANEL, COIL, ELECTRICAL, ASSY, AEP E1000-C, JP7714-L, JP7714-N & JP7714-J, N/S)

ITEM NO.	DESCRIPTION	QTY.	PART NO.
1	PANEL, COIL, ELECTRIC, STEEL, PAINTED, E1000	1	JP7714-07
2	NUT, HEX, JAM, STEEL, PLATED, 7/8-14	6	JD 802
3	NIPPLE, STEEL, SCH80, 3/8NPTX12-1/2LONG	12.5"	JD1257
4-A	COIL, ELECTRIC, E350, 440V	3	JP3364-D
4-B	COIL, ELECTRIC, E350, 208V, ASSY	3	JP3364-S
4-C	COIL, ELECTRIC, E350, 220V-380V, ASS Y	3	JP3365-S
4-D	COIL, ELECTRIC, E350, 575V, ASS Y	3	JP3342
5	BRACE, COIL, ELECTRIC, ST, PAINTED	2	JP6743
6	SCREW, FLANGE, HEX, SERR, ST, PL, 3/8-16X1-3/4	6	JD7906-E
7	NUT, LOCK, FLANGE, HEX, SERR, ST, PL, 3/8-16	6	JD7774-F
8	TUBING, COPPER, 3/8O.D.x0.032WALL	2.667	JD1730
9	NUT, FLARE, BRASS, 3/8-45SAE	6	JD 662
10	ELBOW, MALE, BRASS, 3/8-45SAEX3/8NPT	5	JD 684
11	TUBING, COPPER, ASSY, 3/8X12	2	JD1732-12
12	THERMOSTAT, MOUNT, SURFACE, 0-345 DEGREE F	1	JP3339
13	CLAMP, HOSE, GEAR, WORM, SS, 11/16TO1-1/4 DIA	2	JD1229



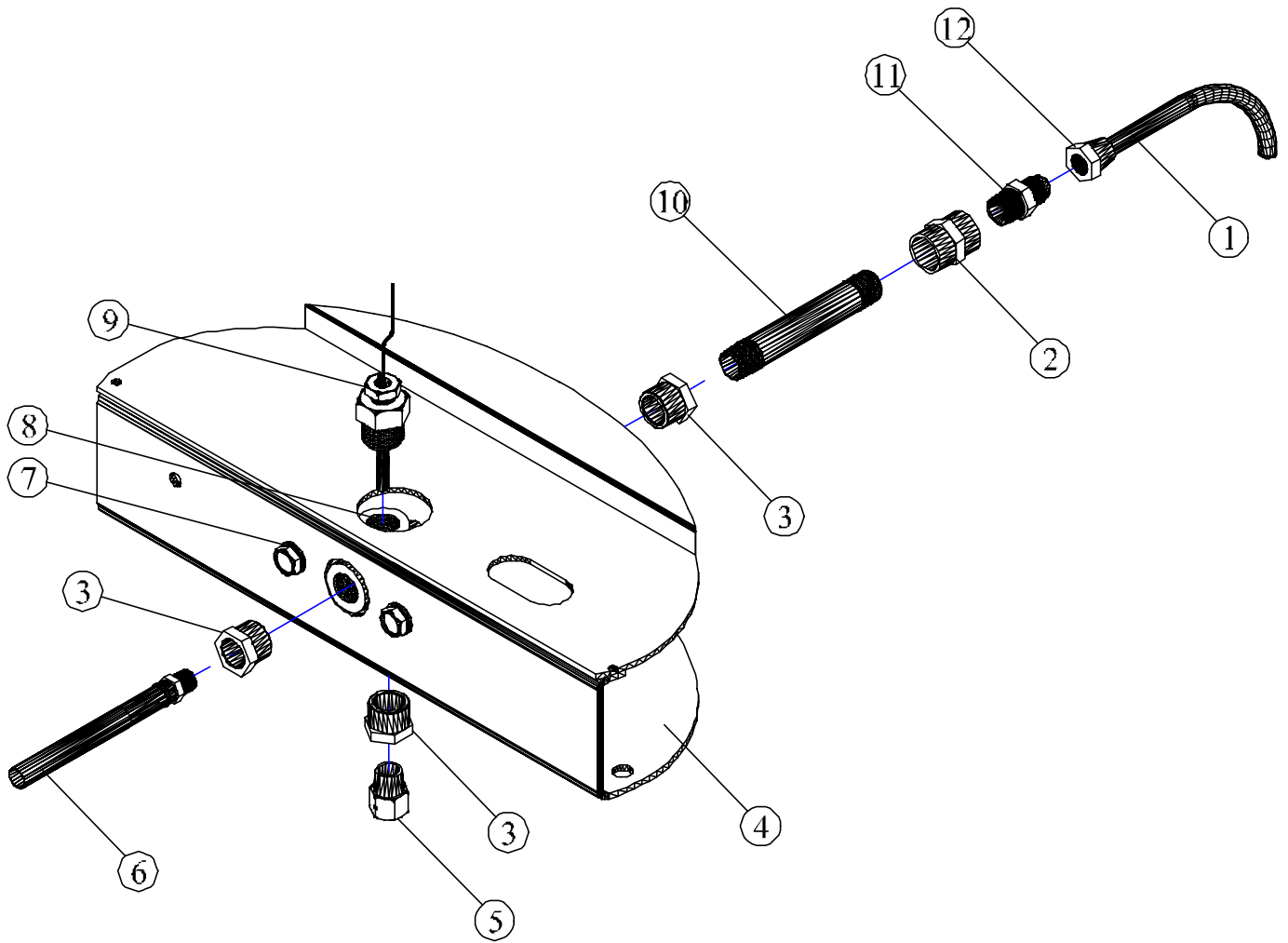
ITEM NO.	QTY.	DESCRIPTION	PART NO.
1	1	GUN, TRIGGER, 3000PSI, 8GPM, 320F	JD6068-B
2	2	ADAPTER, EXPANDING, STEEL, PLATED, 1/4M X 3/8F	JD6224
3	1	HANDLE, PERFORATED, SCH80, STEEL, ASSY, 3/8	JE 280-E
4	1	COUPLING, HEX, STEEL, PLATED, 3/8NPT X 3/8NPT	JD 907-04
5	1	NIPPLE, STEEL, SCH80, 3/8NPT X 28 LONG	JD 963
6	1	SOCKET, QUICK, COUPLING, BRASS, 1/4M X 3/8F	JD3102-02

FIGURE 1-6 (GUN, SCH80, N/C, W/O, SWIVEL, ASSY, 3/8", JP4261-H)



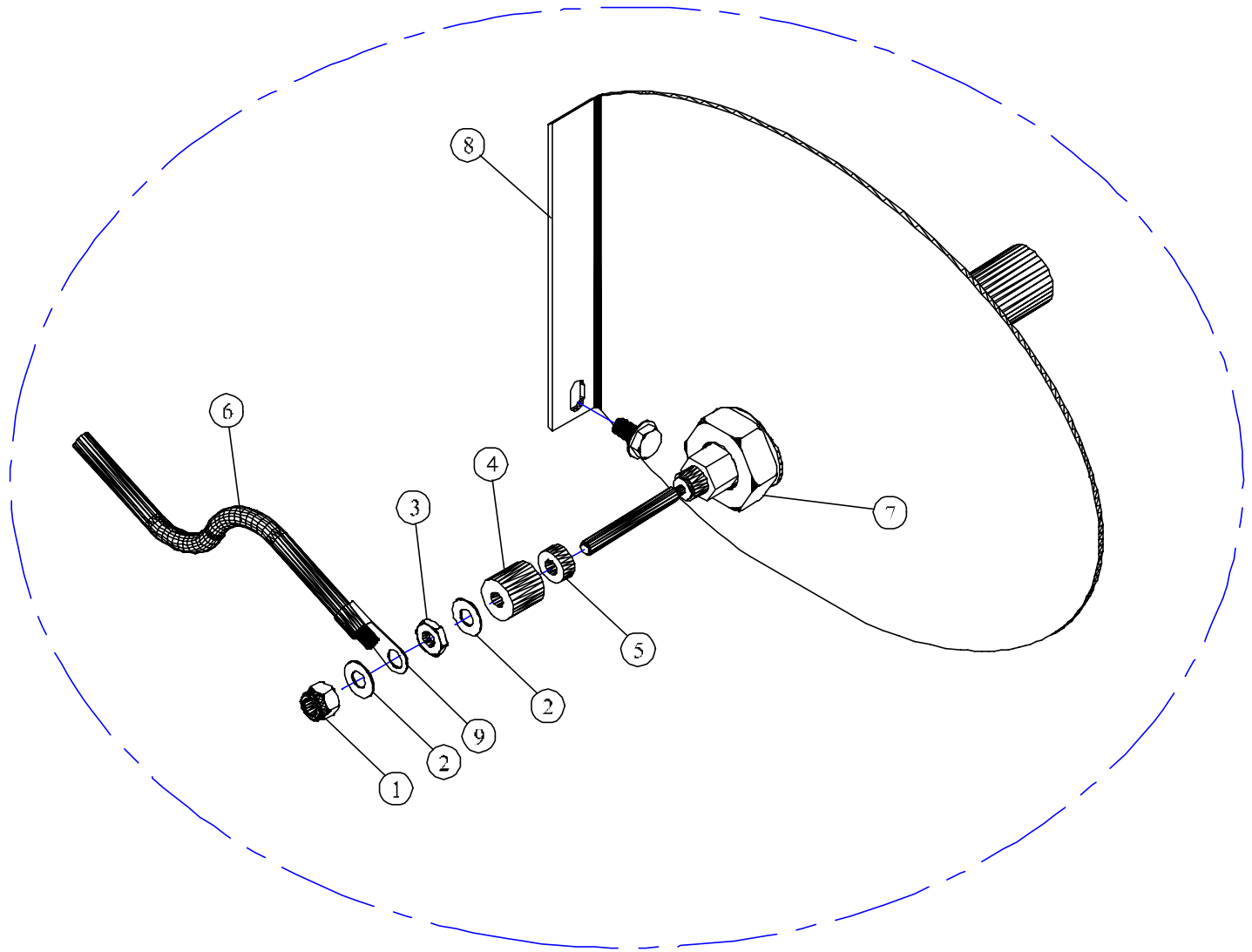
ITEM NO.	QTY.	DESCRIPTION	PART NO.
1	1	NOZZLE, STEAM, 3/4 HEX, STEEL, PLATED, 3/8 X 3/8	JP3308-B
2	2	ORIFICE, STEAM, SS, #46	JP3175-09
3	1	COUPLING, HEX, BRASS, 3/8NPTF X 1/4 NPTF	JD 920-01
4	1	PLUG QUICK, COUPLING, BRASS, 1/4" NPTM	JD3103-04

FIGURE 1-7 (NOZZLE, STEAM, COMBINATION, FITTING, E1000-C, AEP, ASSY)



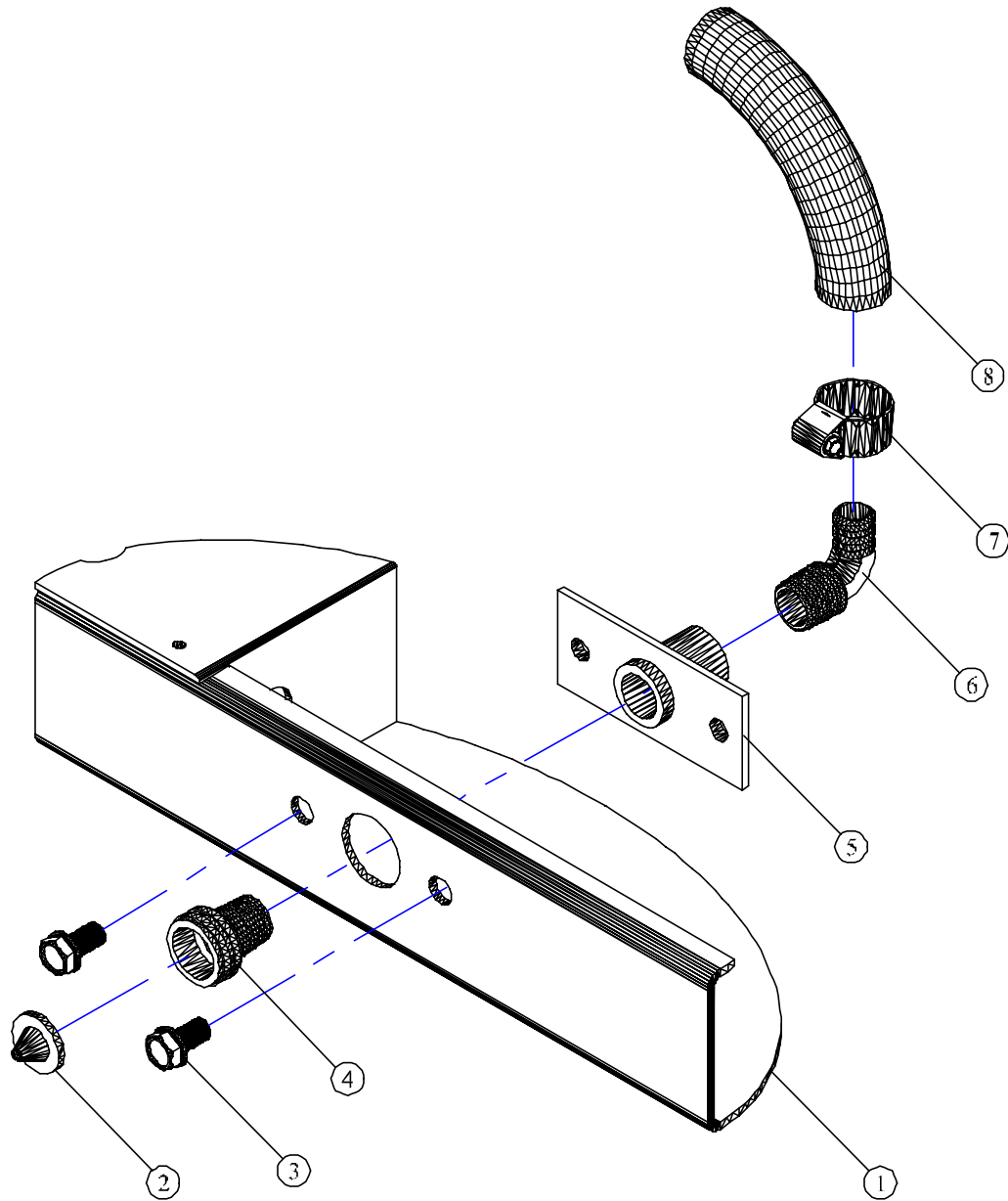
ITEM NO.	QTY.	DESCRIPTION	PART NO.
1	1	TUBING, COPPER, 3/8O.D.x0.032WALL	JD1730
2	1	COUPLING, HEX, STEEL, PLATED, 3/8NPX3/8NPT	JD 907-04
3	3	BUSHING, REDUCER, HEX, STEEL, PLATED, 1/2X3/8	JD2599
4	1	CHASSIS, AEP, ASSY, E1000-C, E2000-C, E3000-C	JP7712
5	1	PLUG, FUSIBLE, ASSY, 340 DEGREE F	JP3921-C
6	1	HOSE, COMBINATION, JENNY, 3/8X50'	JD7624
7	2	SCREW, FLANGE, HEX, SERR, ST, PL, 5/16-18X1/2	JD7905
8	1	CROSS, FEMALE, STEEL, PLATED, W/BRKT, NS	JP7732-03
9	1	CONTROL, LIMIT, TEMPERATURE, AUTOMATIC	JD3701-B
10	1	NIPPLE, STEEL, SCH80, 3/8NPTX4LONG	JD1028
11	1	CONNECTOR, MALE, BRASS, 3/8-45SAEX3/8NPT	JD 687
12	2	NUT, FLARE, BRASS, 3/8-45SAE	JD 662

FIGURE 1-8 (CROSS, FEMALE, STEEL, PLATED, W/BRACKET, AEP E1000-C, ASSY)



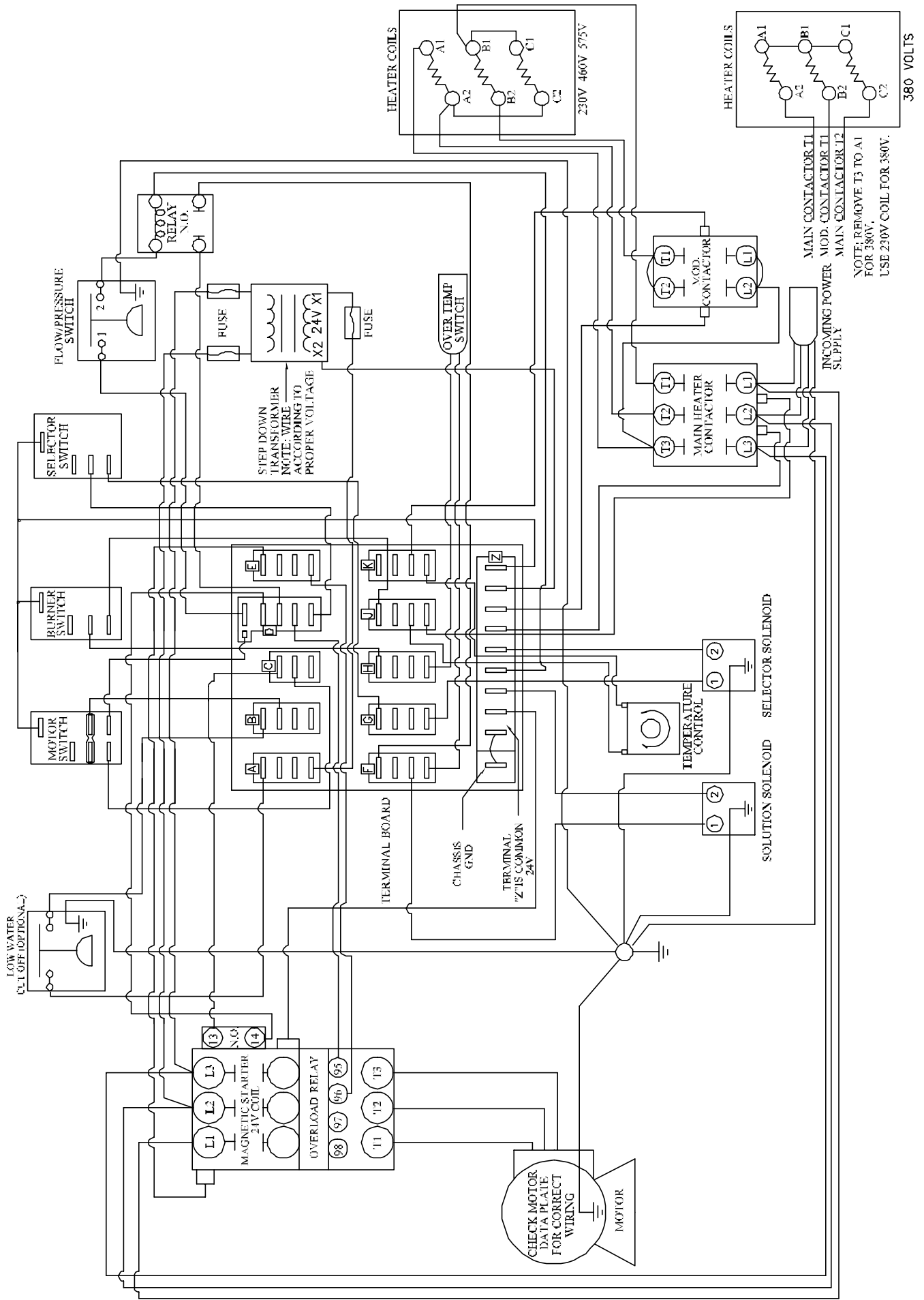
ITEM NO.	QTY.	DESCRIPTION	PART NO.
1	6	NUT, LOCK, BRASS, ELASTIC, 10-32	JD3726-03
2	12	WASHER, FLAT, BRASS, #10	JD3795
3	6	NUT, HEX, BRASS, 10-32	JD3794
4	6	BUSHING, CERAMIC, 1/2 ODX 3/16 IDX 1/2	JD3796
5	6	WASHER, RUBBER, SILICONE, 5/16 ODX 3/16 IDX 1/8	JD6215
6	1	WIRE, SRML, SILICONE, WHITE, 6/1	JE 453
7	6	NUT, HEX, JAM, STEEL, PLATED, 7/8-14	JD 802
8	1	PANEL, COIL, ELECTRIC, ASSY, E0000, N/S	
9	1	TERMINAL, TONGUE, RING, 3/16 HOLE, 6-8 GAUGE	JD1374

FIGURE 1-9 (COIL, TERMINAL, AEP E1000-C ASSY)



ITEM NO.	QTY.	DESCRIPTION	PART NO.
1	1	CHASSIS, AEP, ASSY, E1000-C, E2000-C, E3000-C	JP7712
2	1	WASHER, STRAINER, MESH, WIRE, BRASS, #30	JD 809
3	2	SCREW, FLANGE, HEX, SERR, ST, PL, 5/16-18X1/2	JD7905
4	1	CONNECTOR, BR, 3/4GARDEN HOSEX1/2NPTM, SWIV	JD7142
5	1	COUPLING, STAINLESS STEEL, W/BRACKET, 1/2"	JP7732-02
6	1	BARB, HOSE, ELBOW, MALE, BRASS, 5/8HSX1/2NPT	JD7150-02
7	1	CLAMP, HOSE, GEAR, WORM, SS, 9/16TO1-1/16DIA	JD1229-A
8	1	HOSE, RUBBER, GARDEN, 5/8	JL 146

FIGURE-1-10 (Water, Inlet, Fitting, AEP E1000-C, Assy)



E1000-C 230/380/460 575 3PH